

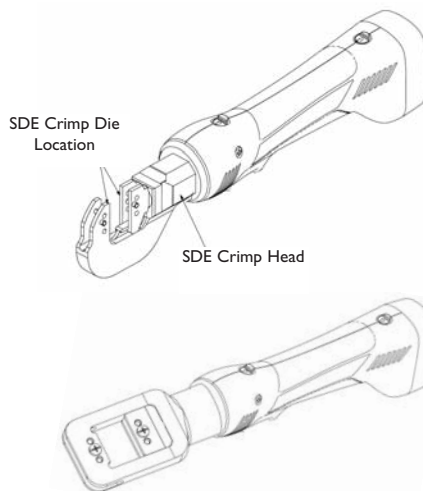


# Battery-Powered Crimp Tool Kits Completely Portable Power Crimping

## Fast Facts

*Fast, ergonomically-designed tool is ideal for use at the bench, on the line, or in the field.*

- Completely portable—over 100 crimps per charge, 40 min charging time
- Terminates wires to 10 AWG [6mm<sup>2</sup>]
- Lightweight—1.57 kg [3.48 lbs] with battery; compact—360mm [14 in] length
- Kit includes tool, 2 batteries, charger
- Pressure-sensitive cycle control
- **See page 4 for Battery Tool Kit specifications**



### SDE Battery Powered Crimp Tool Kit, Dies not included

**Part No. 1725837-() 110V**

(-1 includes Ram Retract Switch; -3 without)

**Part No. 1725837-() 220V**

(-2 includes Ram Retract Switch; -4 without)

### SDE Battery Powered Crimp Tool Kit, Dies not included

**Part No. 1213890-() 110V**

(-1 includes Ram Retract Switch; -3 without)

**Part No. 1213890-() 220V**

(-2 includes Ram Retract Switch; -4 without)

#### Common COMPATIBLE SHOULDER DIES

58423-1	58536-1	91900-1
58425-1	58545-1	220189-1

For closed-barrel terminals

#### Common COMPATIBLE PIN DIES

58448-3	90546-2	90800-2
58495-2	90758-2	217212-2

For open-barrel terminals

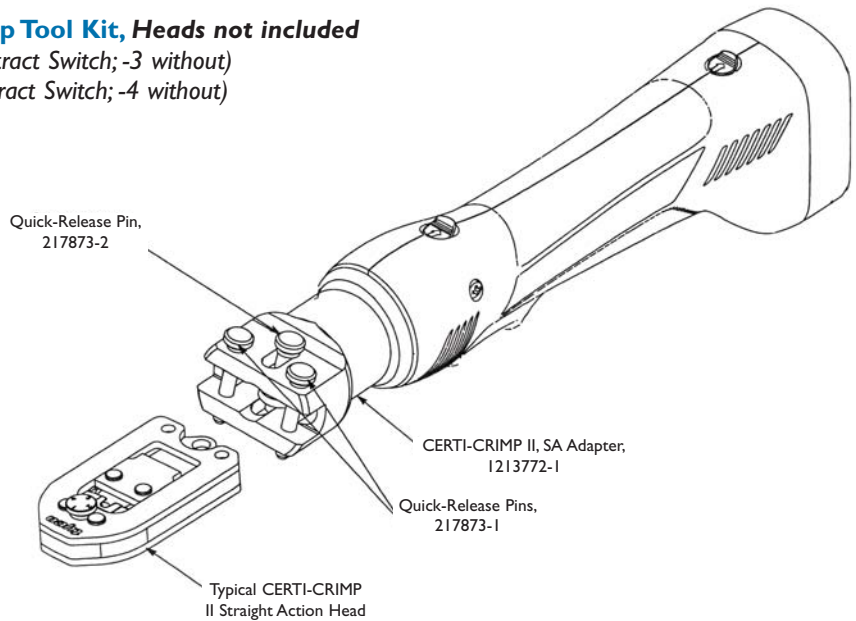
**CERTI-CRIMP II, SA Battery Powered Crimp Tool Kit, Heads not included**

**Part No. I213805-(-) 110V** (-1 includes Ram Retract Switch; -3 without)

**Part No. I213805-(-) 220V** (-2 includes Ram Retract Switch; -4 without)

See Customer Manual CM 409-10055

Heads can be removed from hand tools, or are available as a (-3) option. For example, for 91500-1 CC II, SAHT, the head can be removed from the hand tool and used, or the customer can order just the head assembly, 91500-3, for use with the battery kit.



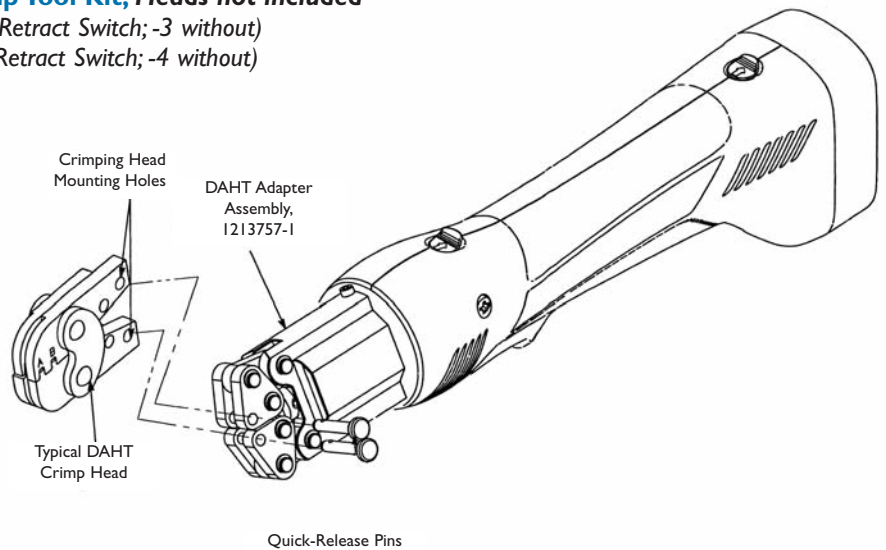
**CERTI-CRIMP DA Battery Powered Crimp Tool Kit, Heads not included**

**Part No. I213804-(-) 110V** (-1 includes Ram Retract Switch; -3 without)

**Part No. I213804-(-) 220V** (-2 includes Ram Retract Switch; -4 without)

See Customer Manual CM 409-10056

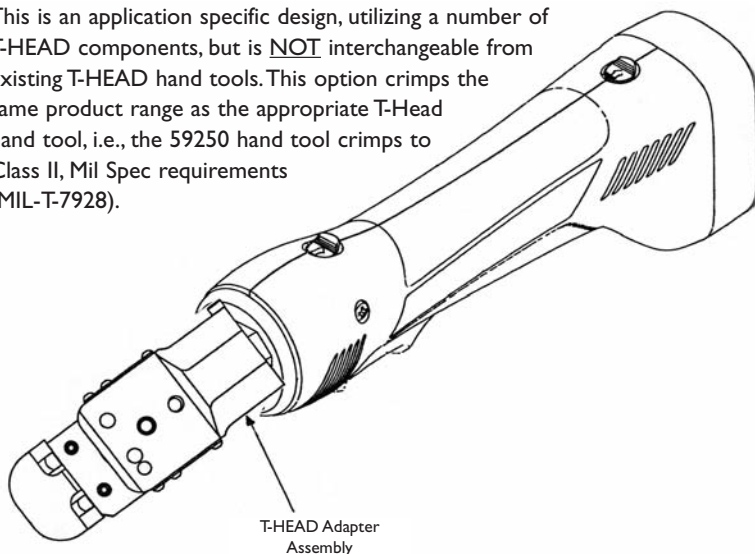
Double Action Heads can be removed from hand tools, and used with this battery kit. For example, the crimp head from hand tool 49935 can be removed from the handles, and assembled as shown. For a partial list applicable to Double Action Hand Tools, please refer to catalog 65780.



**CERTI-CRIMP T-HEAD Battery Powered Crimp Tool Kit,**

See Customer Manual CM 409-10061

This is an application specific design, utilizing a number of T-HEAD components, but is **NOT** interchangeable from existing T-HEAD hand tools. This option crimps the same product range as the appropriate T-Head hand tool, i.e., the 59250 hand tool crimps to Class II, Mil Spec requirements (MIL-T-7928).



T-Head	Hand Tool	Battery Tool Adapter	Battery Kit (-1, -2, -3 or -4)
<b>PIDG</b>			
22-18	or	I213655-1	I213803-x
16-14			
26-22	59275	I901618-1	I901655-x
24-20			
24-20	59300	I901900-1	I901920-x
22-18			
<b>PIDG STRATO-THERM</b>			
26-24	69692-1	I976125-1	I976250-x
22-20			
18-16	69693-1	I976126-1	I976260-x
14			

110V — Battery Kit -1, -3 (-1 includes Ram Retract Switch; -3 without)

220V — Battery Kit -2, -4 (-2 includes Ram Retract Switch; -4 without)

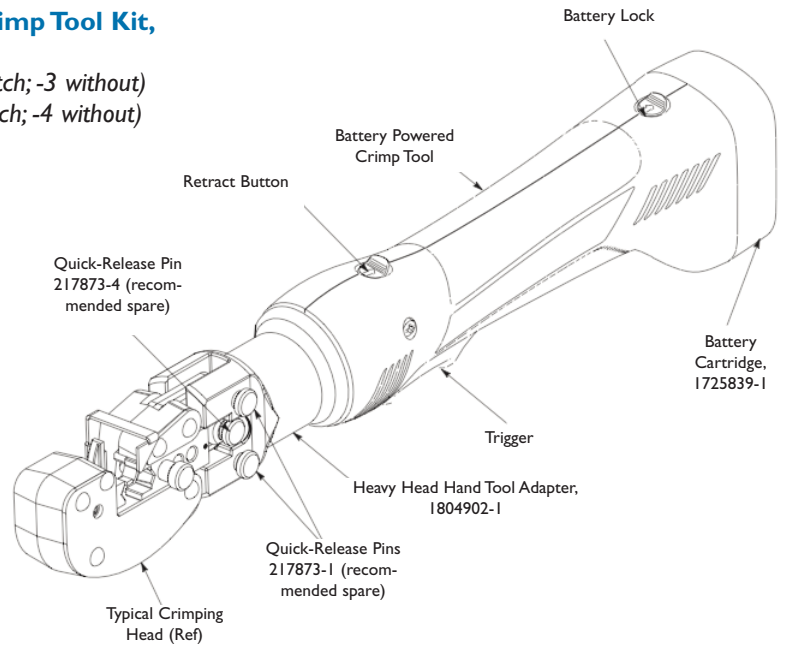
**CERTI-CRIMP II, Heavy-Head Battery Powered Crimp Tool Kit,  
Heads not included**

**Part No. 1901235-( ) 110V** (-1 includes Ram Retract Switch; -3 without)

**Part No. 1901235-( ) 220V** (-2 includes Ram Retract Switch; -4 without)

See Customer Manual CM 409-10068

Heavy Head Hand Tool "heads" can be disassembled and removed from the hand tool assembly, and used with this battery kit. For example, the head from a 59239-4 can be removed from the handles, and assembled as shown. For a list of Heavy Head Hand Tools that can all be used with this battery tool, refer to catalog 65780.



**CERTI-CRIMP, Large Die, C-Head Adapter Battery Powered Crimp Tool Kit,  
Dies not included**

**Part No. 1213840-( ) 110V**

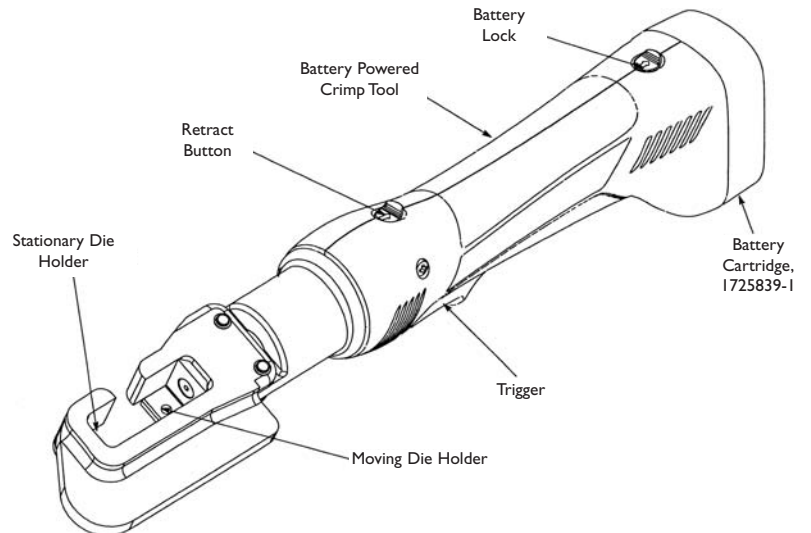
(-1 includes Ram Retract Switch; -3 without)

**Part No. 1213840-( ) 220V**

(-2 includes Ram Retract Switch; -4 without)

See Customer Manual CM 409-10057

These tools use the same dies that are compatible with the 69710-1, CERTI-CRIMP Hand Tool Frame.



**CERTI-CRIMP, Large Die, Straight-Action Adapter Battery Powered Crimp Tool Kit, Dies not included**

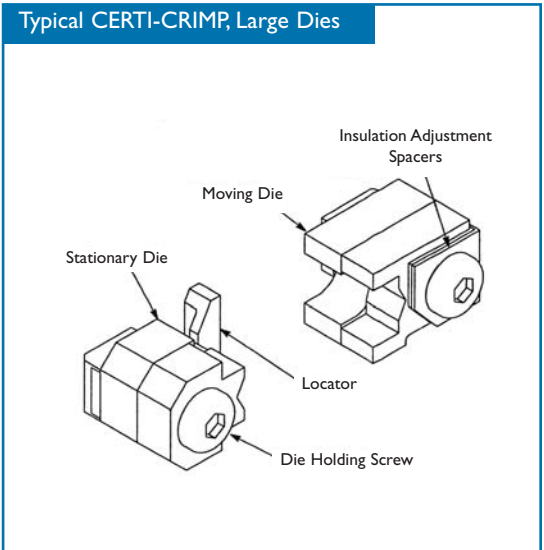
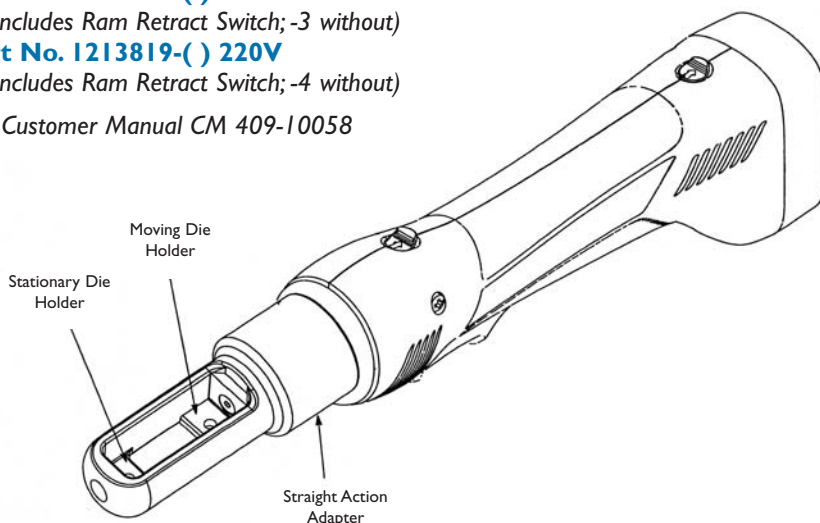
**Part No. 1213819-( ) 110V**

(-1 includes Ram Retract Switch; -3 without)

**Part No. 1213819-( ) 220V**

(-2 includes Ram Retract Switch; -4 without)

See Customer Manual CM 409-10058



## 4-Ton Latch Head Battery Powered Crimp Tool Kit,

**Dies not included**

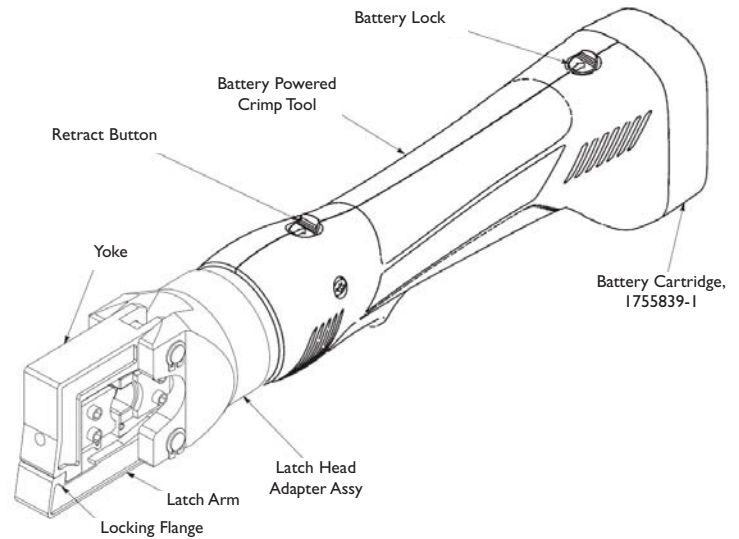
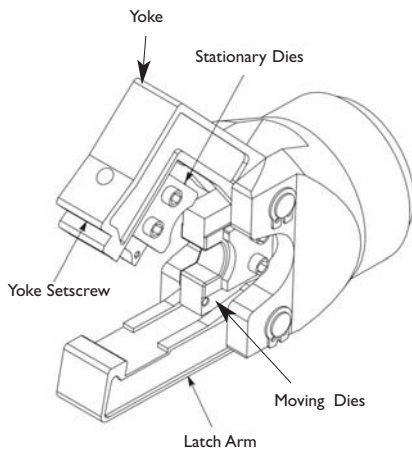
**Part No. 1901343-( ) 110V**

(-1 includes Ram Retract Switch; -3 without)

**Part No. 1901343-( ) 220V**

(-2 includes Ram Retract Switch; -4 without)

See Customer Manual CM 409-10070



### 4-TON CRIMPING TOOL (with Battery Installed)

Length	356 mm [14 in]
Width	60 mm [2 3/8 in]
Depth	80 mm [3 1/8 in]
Mass Weight (w/Battery)	1.6 kg [3.5 lb]
Sound Level	75 dBA at 1 meter
Vibration	<2.5 m/s <sup>2</sup>
Hydraulic Oil	Shell Tellus® T 15

### 4-TON CRIMPING CAPACITIES

Maximum Crimping Force	35 kN [4 ton]
Average Crimping Time	4 sec
Average Crimps Per Charge	Approx. 85

### Latch Head Crimping Dies for TERMINYL and PLASTI-GRIP Terminals and Splices

AWG	Crimping Die	Die & Splice Color Code
8	1901006-1	Red
6	1901007-1	Blue

### Latch Head Crimping Dies for SOLISTRAND Terminals and Splices

AWG	Die / Nest	Die / Indenter
8	1901001-1	1901002-2
6	1901000-1	1901002-1
4	1901000-2	1901002-1
2	1901000-3	1901002-1

### Latch Head Crimping Dies for AMPLI-BOND Connectors

AWG	Die / Nest
8	1901727-1

### BATTERY TOOL SPECIFICATIONS (see above for 4-Ton Latch Head Battery Tool Specs)

#### Crimping Tool with Battery Installed

Length	356 mm [14 in]
Width	60 mm [2 3/8 in]
Depth	80 mm [3 1/8 in]
Mass Weight (w/Battery)	1.5 kg [3.4 lb]
Sound Level	75 dBA at 1 m
Vibration	<2.5 m/s <sup>2</sup>
Hydraulic Oil	Shell Tellus® T 15

#### Crimping Capacities

Max Crimping Force	15.6 kN [1.75 ton]
Avg Crimping Time	2 sec
Avg Crimps Per Charge	Approx. 100

#### Battery

Charging Voltage	9.6 V
Charging Time	40 min

#### Spare Parts

Battery 9.6V	1725839-1
Battery Charger 120 V	1725840-1
Battery Charger 220 V	1725840-2

In the interest of continuous improvement, TE Connectivity reserves the right to modify, discontinue, or replace any products.

Catalog 1773381 / 11-11 / Application Tooling

© 2011 Tyco Electronics Corp. TE Connectivity (logo), and TE Connectivity are trademarks.

[tooling.te.com](http://tooling.te.com), [tooling.te.com/europe](http://tooling.te.com/europe)

Tyco Electronics Corporation, Harrisburg, PA 17105, Phone: 888-777-5917 or 717-810-2080; email: [toolingsales@te.com](mailto:toolingsales@te.com)

