

ARL-1210PGC (HL-A-3528U51GC)



Features

- Single color.
- Suitable for all smt assembly and solder Process.
- Available on tape and reel.
- Ideal for backlighting.
- Package: 2000pcs / reel.

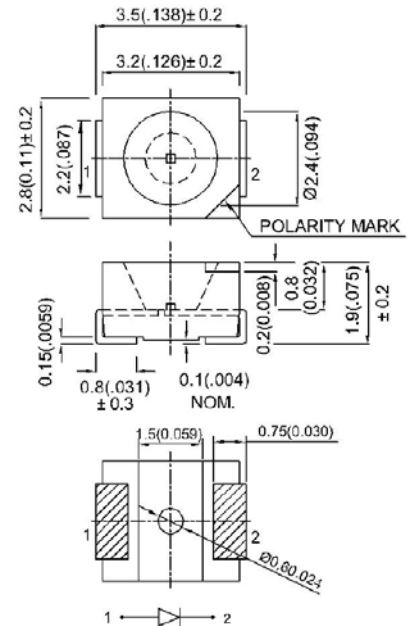
Description

- The Green source color devices are made with Gallium Arsenide Phosphide on Gallium Phosphide Green Light Emitting Diode.

Package Dimensions

Notes:

1. All dimension units are millimeters.
2. All dimension tolerance is $\pm 0.2\text{mm}$ unless otherwise noted.
3. An epoxy meniscus may extend about 1.5mm down the leads.
4. Burr around bottom of epoxy may be 0.5mm max..



Part No.	Dice	Lens Type	Iv (mcd) @ 20mA		Viewing Angle
			Min.	Typ.	201/2
ARL-1210PGC	GREEN (GaP)	WATER CLEAR	350	520	120°

Note:

1. $\theta_{1/2}$ is the angle from optical centerline where the luminous intensity is 1/2 the optical centerline value.

Electrical / Optical Characteristics at TA=25°C

Symbol	Parameter	Device	Min.	Typ.	Units	Test Conditions
λ_D	Dominate Wavelength	Green	515	519	nm	IF=20mA
C	Capacitance	Green		45	pF	VF=0V; f=1MHz
VF	Forward Voltage	Green	3.0	3.2	V	IF=20mA
IR	Reverse Current	All	—	5	uA	VR= 5V

Absolute Maximum Rating

Parameter	Green	Units
Power dissipation	95	mW
DC Forward Current	25	mA
Peak Forward Current [1]	150	mA
Reverse Voltage	5	V
Operating/Storage Temperature	-40°C TO +80°C	

Note:

1. 1/10 Duty Cycle, 0.1ms Pulse Width.

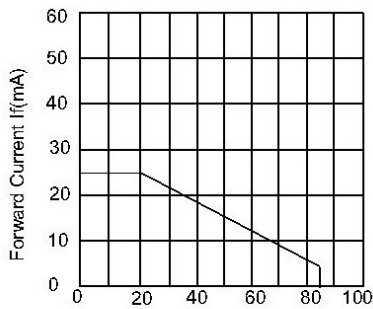
Reliability Test Items And Conditions

The reliability of products shall be satisfied with items listed below.

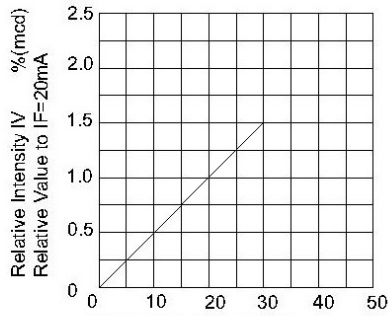
Confidence level :90% LTPD :10%

No.	Items	Test Condition	Test Hours/ Cycles	Sample Size	Ac/Rc
1	Reflow	Temp: 240°C ±5°C Min.5 sec.	6 Min.	22Pcs.	0/1
2	Temperature Cycle	H: + 100°C 15 min. ~ 5 min L: -40°C 15 min.	300 Cycles	22Pcs.	0/1
3	Thermal Shock	H: +100°C 5 min. ~ 10 sec. L: -10°C 5 min.	300 Cycles	22Pcs.	0/1
4	High Temperature Storage	Temp.: 100°C	1000Hrs.	22Pcs.	0/1
5	Low Temperature Storage	Temp.: -55°C	1000Hrs.	22Pcs.	0/1
6	DC Operating Life	IF=20mA	1000Hrs.	22Pcs.	0/1
7	High Temperature/High Humidity	85°C/R.H85%	1000Hrs.	22Pcs.	0/1

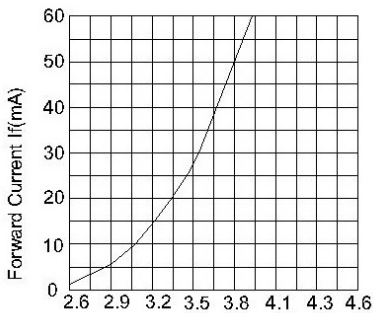
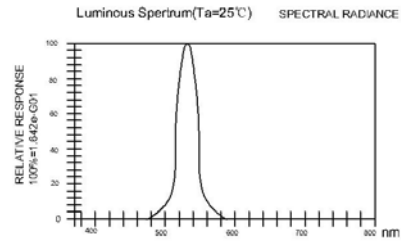
*The technical information shown in the data sheets are limited to the typical characteristics and circuit examples of the referenced products. It does not constitute the warranting of industrial property nor the granting of any license.



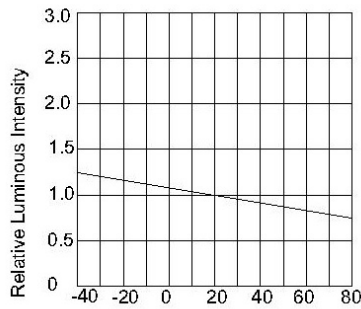
Ambient Temperature TA(°C)
Forward current
Derating Curve



IF-Forward Current (mA)
Luminous Intensity vs.
Forward Current



Forward Voltage (V)
Forward Current VS.
Forward Voltage



Ambient Temperature Ta(°C)
Luminous Intensity
Ambient Temperature

