

FS-3A

Floatless level switch

- Recommendable for water level control for irrigation, water purification
- Compact size and simple installation
- Operation state is indicated by the LED

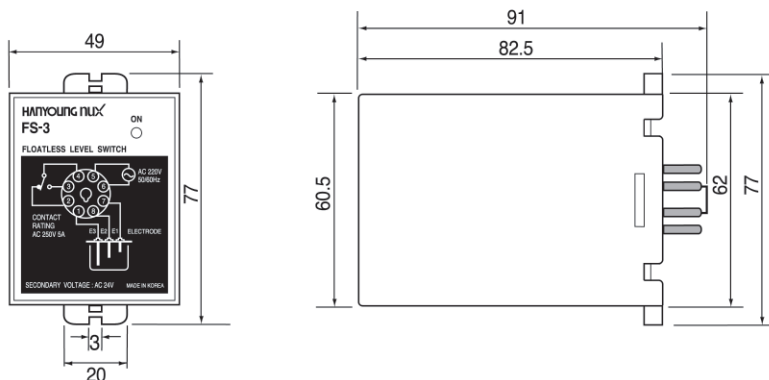


A
Temperature
Controller

Specification

Model	FS-3 A (High sensitivity)	FS-3 A (Low sensitivity)
Power Supply Voltage	110 V AC / 220 V AC 50/60 Hz	
Allowable voltage fluctuation range	± 10 % of the power supply voltage	
Voltage between the electrodes secondary voltage	24 V AC	8 V AC
Power consumption	Approx. 3.2 VA	
Response time	Max 80 ms when operating, max 160 ms when returning	
Operation resistance between electrodes	0 – approx. 27 KΩ	0 – approx. 7 KΩ
Return resistance between electrodes	Approx. 38 KΩ – ∞Ω	Approx. 15 KΩ – ∞Ω
Control output	Relay contact output (1c) : 250 V AC 5 A (Resistive load)	
Insulation resistance	100 MΩ min (measured with 500 V DC) between electricity conduction part and exposed non-charged metal part	
Dielectric strength	2000 V AC (50 – 60 Hz) for 1 minute between the two charged terminals	
Vibration resistance	10 – 55 Hz per 1 minute, with 0.76 mm amplitude, for 2 hours in each of X, Y and z directions	
Shock resistance	300 m/s ²	
Durability	Mechanically more than 5 million times (relay type), electrically more than 500 thousand times (load resistance)	
Ambient temperature	-10 ~ 50 °C (Under the condition of no ice formation)	
Ambient humidity	35 ~ 85 % RH	

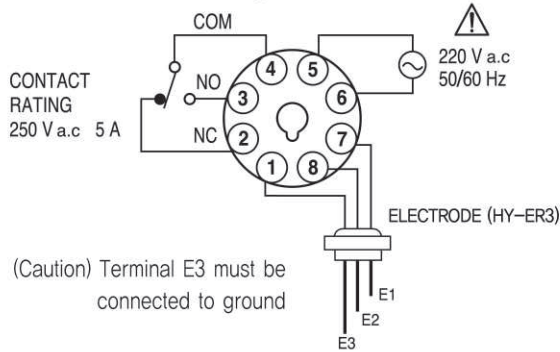
Dimension (Unit : mm)





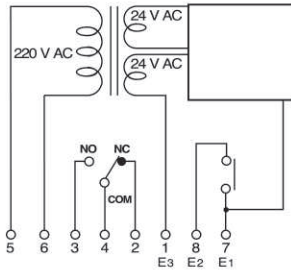
Connection diagram

External connection diagram

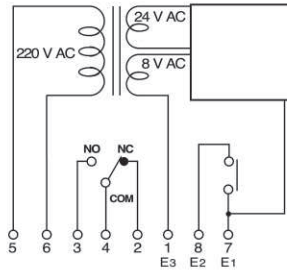


Internal connection diagram

① High sensitivity

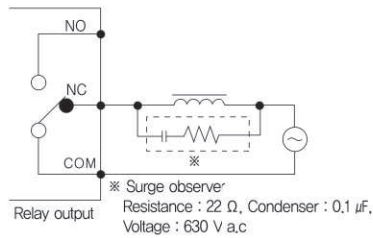


② Low sensitivity



Regarding the connection of load

- Attaching the surge observer at each end of inductive load (motor, solenoid and etc) as shown on the right side will prevent noise



HY-ER3

Appearance	Dimension
	<p>91.9 80 Ø78 3-Ø8.5 THREAD PF2 PIPE THREAD Ø66.4 17 10 27.6 66.6 SEPERATE COVER HOLE (← SCREW DRIVER) 3-Ø4.8 Ø29 3-M3.5 CABLE RUBBER 3-M6X1.0 TAP HEXAGONAL BRASS BAR (SEPERATE COVER)</p>