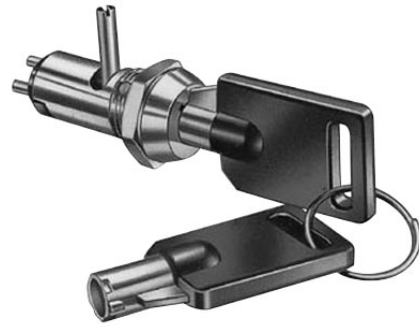


DESCRIPTIONS:

- Zinc alloy die cast housing and brass cylinder.
- Bright chrome plated standard.
- 4 pin tumbler mechanism.
- Steel made tubular keys, nickel plated, with plastic cover.
- "L" dimension 13mm standard; other dimensions available upon request.
- Dual-functioned Key Lock Switch.
- Key withdrawals in both positions only.
- Silver plated contacts and terminals.
- 2 position (off-on) 2 terminals.
- Hex nut or speed clip mounted.
- 200 combinations available.



KEY-PULL FIGURES

○-Off Position

I-Indicates Key-Pull

●-Indicates No Key-Pull



Fig.1

Fig. No.	Lock Number	Pole	Positions	Terminals	Key Pulls	Turn	↑	→	Type
1	S1098-2	1	2	2	2	90°	Off	On	SP

Unit: mm

HOLE SIZE

