



# Specification

<b>Product</b>	<b>LED Light Panel</b>
<b>Part No.</b>	<b>NS-PLD-6060-XW40A</b>
<b>Date</b>	<b>2012-3-25</b>
<b>Version</b>	<b>V1.2</b>

<b>Foshan NationStar Optoelectronics Co., Ltd.</b>		
<b>LED Lighting Branch</b>		
<b>DRAFT</b>	<b>CHECK</b>	<b>CONFIRM</b>



## NS-PLD-6060-XW40A

### General Description

This LED light panel is good for using in offices, schools, hotels, meeting rooms, banks, hospitals, supermarkets and other indoor places which require high luminosity and energy-saving, and require high CRI.

◇ Features
➤ Illuminant: ultra bright white 3528 SMD LED
➤ Optional CCT: Cool White (5500K-7000K) Neutral White (4000K-4500K) Warm White (3000K-3500K)
➤ Every LED works independently. While one LED loses efficacy, others can work as usual.
➤ Reaches full brightness instantly, no strobe light wave.
➤ External constant current driver, high efficiency, reliable, long lifespan.
➤ Optical diffusing light guide cover has even and comfortable light output.
➤ Lamp frame is made of high-strength aluminum with antistatic thermoplastic spray painting surface, corrosion resistant, oxidation resistant, elegant and durable.

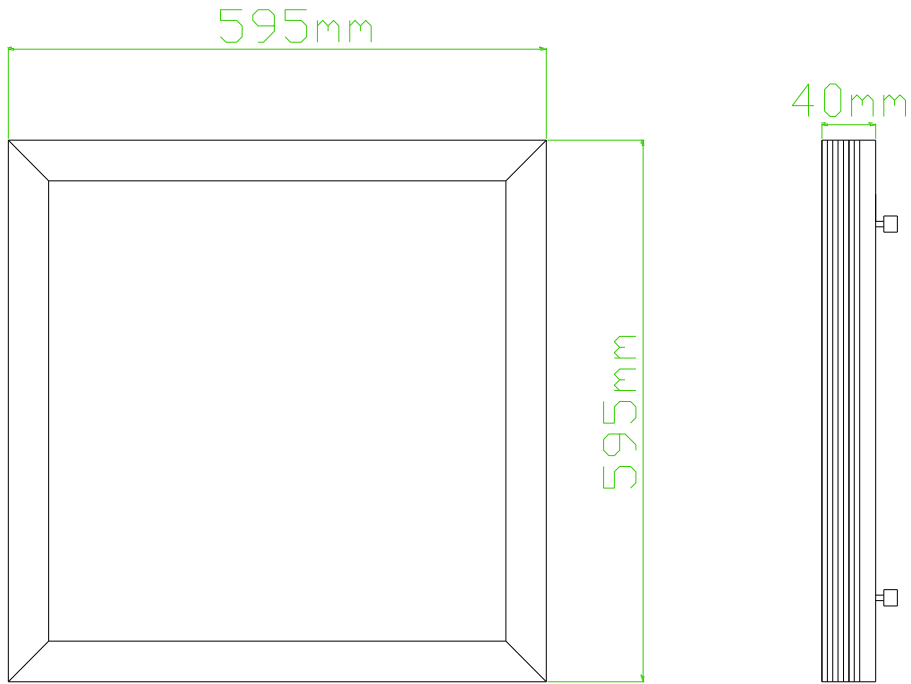


## Technical Parameter

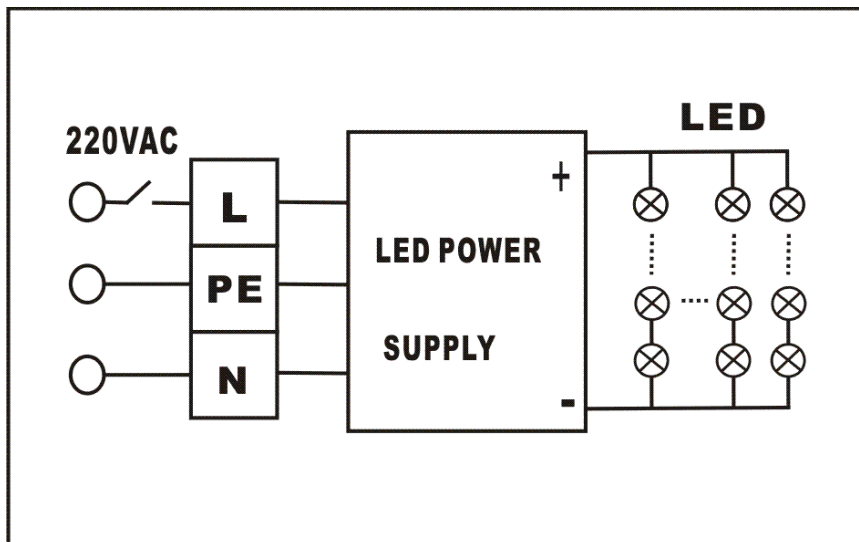
Item	Parameter
Rated Power (W)	40W
Input Current (mA)	180mA
Working Voltage (V)	AC:180~240V
Operating Frequency (Hz)	50-60Hz
Luminous Flux (Lm)	3000lm
CCT (K)	3000K-7000K
CRI (Ra)	>75
Angle (°)	120°
Operating Environment	Indoor
Operating Temperature (°C)	-10°C - +40°C
Storage Temperature (°C)	-20°C - +60°C
Net Weight (KG)	4.0 KG
Material	Aluminum Frame
Dimensions(mm)	595x595x40mm
Lifespan (H)	50,000 Hours
Installation	Pendant Lamp



### Outer dimensions

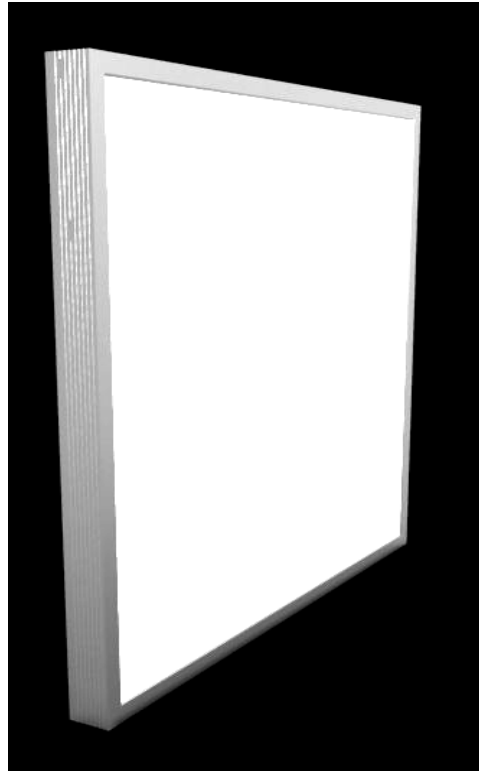


### Circuit Diagram





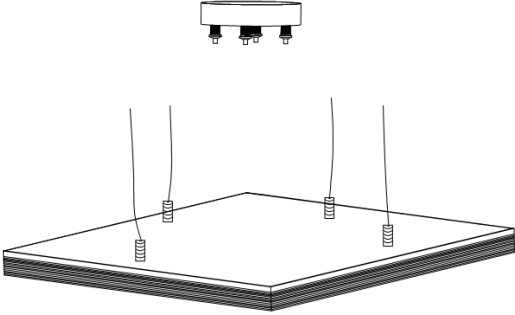
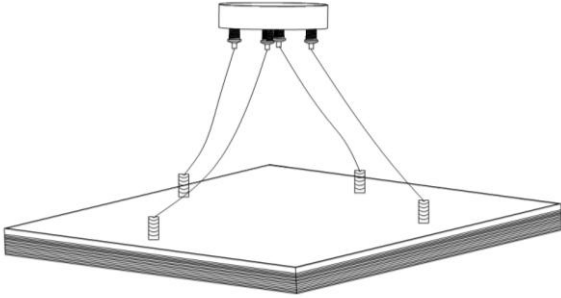
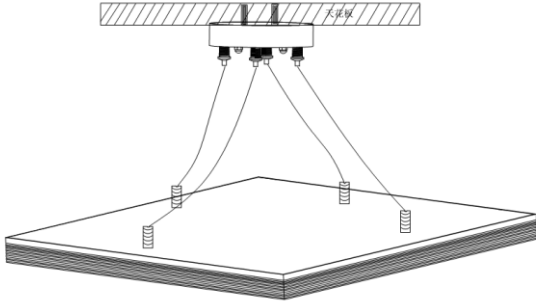
## Product Image



## Installation instructions

Steps	Reference Images	Instructions
Step 1		Install the wire rope to the fixture on the back plate of lamp.
Step 2		Install the fixture to the ceiling



<p><b>Step 3</b></p>		<p>Fix the wire rope to the ceiling fixture.</p>
<p><b>Step 4</b></p>		<p>Adjust the length of each wire rope to balance the light panel.</p>
<p><b>Step 5</b></p>		<p>The installation is completed</p>

## Unpacking and Checking

- Open the package and check the products, please handle with care.
- If a new LED panel is found damaged, please contact us instantly with the complete package.
- Please do not try to use the damaged LED panel.

## ❖ Cautions

1. In order to ensure the product work properly, please use the power supply within indicating voltage range.
2. Please follow the correct installation steps to install the product. Please DO NOT uninstall the light panel while it is working.
3. Please turn off the power supply (cut off Live wire and Neutral wire at the same time) to avoid the risk of electric shock while installing or dismantling the product.



4. Do not use the light panel in outdoor place or in the high humidity or dusty environment, including but not limited to the following environment: bathroom, sauna room and polishing workshop
5. DO NOT use with dimmer



6. Please contact a qualified electrician for repair services when you find the following problems, and do not disassemble the light panel by yourself:
  - 1) Electronic components are exposed to rain or other liquids splash.
  - 2) Product has peculiar smell, abnormal sound and unusual flash.
  - 3) The cover is broken .Debris goes into the housing.
  - 4) The LED panel is not in the correct installation location of the base.

## ❖ Troubleshooting

If it is not caused by improper operation, please confirm whether it is because of the following reasons or not. If the problem cannot be solved after taking the following measure, please stop using and contact a qualified electrician.

- 1、 The LED light panel does not work after connecting the power supply.
  - Turn off the power supply and check whether the screws in circuit are loose or check whether the LED light panel and the wire in the base contact well.
- 2、 The lamp flashes when it is powered on.
  - Please call a qualified electrician to check whether the power supply voltage is lower than required.



## Packing

### Outer carton package

Item No.	Net Weight	Quantity	Gross Weight	Carton dimension
NS-PLD-6060-XW40A	4.0 Kg	2 Pcs	8.0 Kg	637*637*232mm

One piece per inner box: 625\*625\*108(mm)

**Note :This package does not include installation accessory. Please buy it if needed.**

### Note:

- a、The above parameters may be modified without prior notification. If there is any change, please refer to the actual product for correct data.
- b、We reserve the right to amend the data without any prior notification. Sorry for the inconvenience.