



# SPECIFICATION

<b>Product</b>	<b>T5 LED light tube</b>
<b>Part NO.</b>	<b>NS-T5-2H7</b>
<b>Date</b>	<b>2012-10-01</b>
<b>Version</b>	<b>V1.0</b>

<b>LED Lighting Division</b>		
<b>APPROVE</b>	<b>CHECK</b>	<b>DRAW</b>



# NS-T5-2H7

## General description:

This product is good for workshop, office, bank, hospital, shopping centre, subway, school, and other indoor places where require high luminosity and energy-saving. It is designed to replace directly the conventional T5 fluorescent tube light

❖ Features	
➤ Illuminant: ultra-bright white 3528 SMD LED.	➤ Color: cool white, natural white, warm white.
➤ PC cover: Frosted.	➤ Base: No base
➤ Use with special bracket, wide working voltage (100-240vac)	➤ Instant response, no strobe light wave.
➤ High efficiency , low power consumption.	➤ The integrated constant current power supply ensures steady performance and long lifespan.

## Technical parameter:

### ❖ Basic information

Length	Part No.	Material	PC cover
0.6m	NS-T5-2H7	Aluminum alloy+PC	Frosted

### ❖ Electrical parameter (Temperature=25°C)

Length	Part No.	Voltage (V)	Operating Frequency(Hz)	Input Current(A)	Rated Power(W)
0.6m	NS-T5-2H7	100-240	50/60	0.03*	7*

\* Test condition: 220V /50Hz

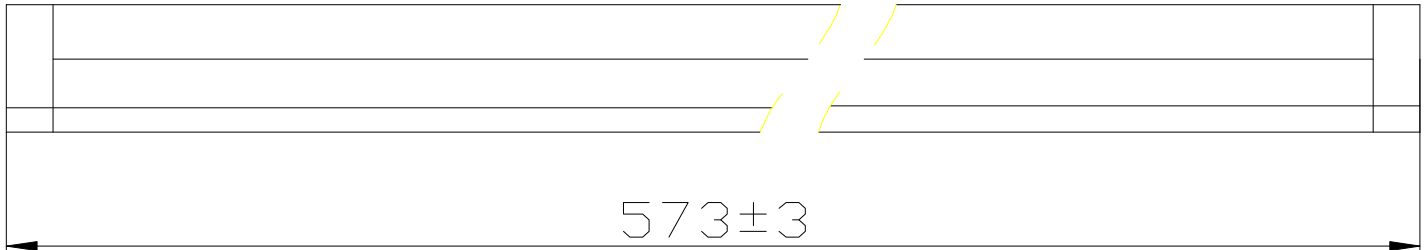
### ❖ Optical Parameter (Temperature=25°C)

Type	Part No.	CCT (K)	CRI (Ra)	Lumen. (lm)	Lux (lux)			Angle (°)
					1m	2m	3m	
Frosted	NS-T5-2H7	3000-8000	75	600	130	35	15	130



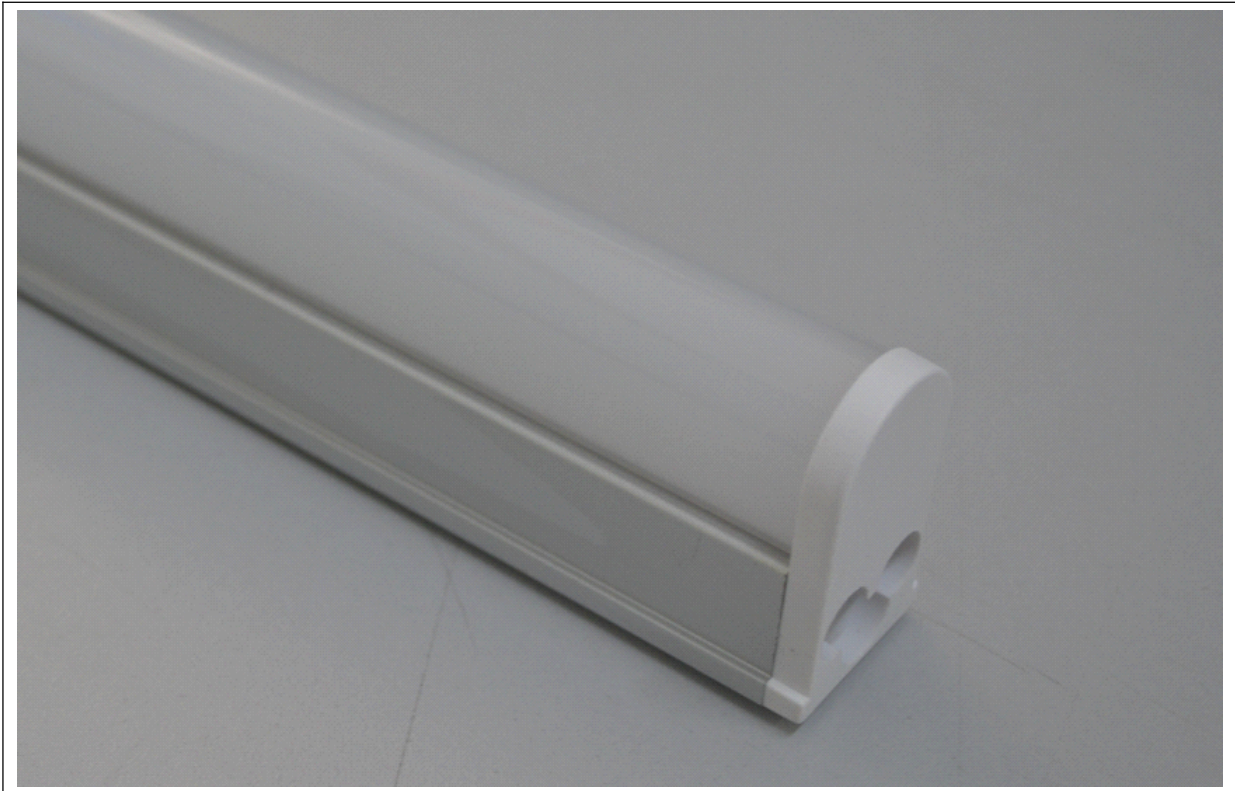
**Outer dimensions:**

✧ **Dimensions information:**



unit: mm

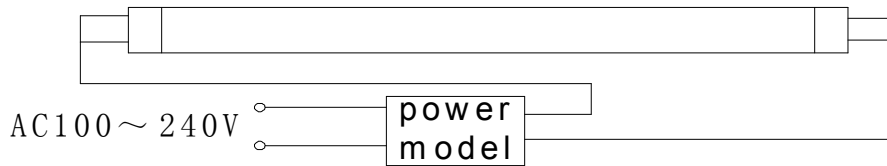
✧ **Product pictures:**



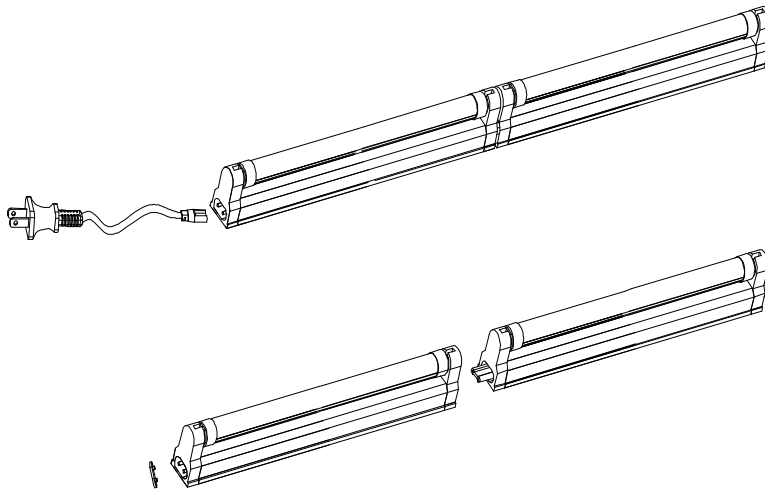


**Installation:**

✧ **Diagram:**



✧ **Extend connection:**



Extendable up to 8 pcs maximum.

Qty	Input current (A).	Power consumption (W)
N(≤ 8)	0.03*×N	7*×N

\*Test condition: 220V /50Hz.

✧ **Installation steps:**

- Turn off the electricity supply before installation.
- Fix the bracket before installing LED tube onto it.
- Please cover the power connector when it is not in use to avoid electric shock.
- Turn on the power supply to check whether the light tube is working properly.



## Instructions:

### ◇ Ambient conditions requirements

- Working temperature: -20~35℃
- Working humidity: 30%~85%
- Storage temperature : -40~65℃
- Storage humidity : 10%~90%.

### ◇ Unpacking and Checking

- Open the package and check the products, please handle with care.
- If the new LED tube is found damaged, please contact us instantly with the complete package.
- Please do not try to use the damaged LED tube.

### ◇ Cautions

1. In order to ensure the product work properly, please use the power supply within indicating voltage range.
2. Please follow the correct installation steps to install the product. Please DO NOT touch the tube while tube is working.
3. Please turn off the power supply (cut off Live wire and Neutral wire at the same time) to avoid the risk of electric shock while installing or dismantling the product.
4. Do not use the products in the high humidity or dusty environment, including but not limited to the following environment: bathroom, sauna room and polishing workshop
5. Do not use with dimmer..
6. Do not look directly at LED light source for a long time, because the high-intensity light source may cause harm to eyes.
7. Please contact a qualified electrician for repair services when you find the following problems, and do not disassemble the tube light by yourself:
  - 1) Electronic components are exposed to rain or other liquids splash.
  - 2) Product has peculiar smell, abnormal sound and unusual flash.
  - 3) The cover is broken. Debris goes into the base or the tube.
  - 4) The LED tube is not in the correct installation location of the base.

### ◇ Troubleshooting

If it is not caused by improper operation, please confirm whether it is because of the following reasons or not. If the problem cannot be solved after taking the following measure, please stop using and contact a qualified electrician.

- 1、 The LED tube does not work after connecting the power supply.

Turn off the power supply and check whether the screws in circuit are loose or check whether the LED tube and the metal sheet in the base contact well.

- 2、 The lamp flashes when it is powered on.

Please call a qualified electrician to check whether the power supply voltage is lower than the required.

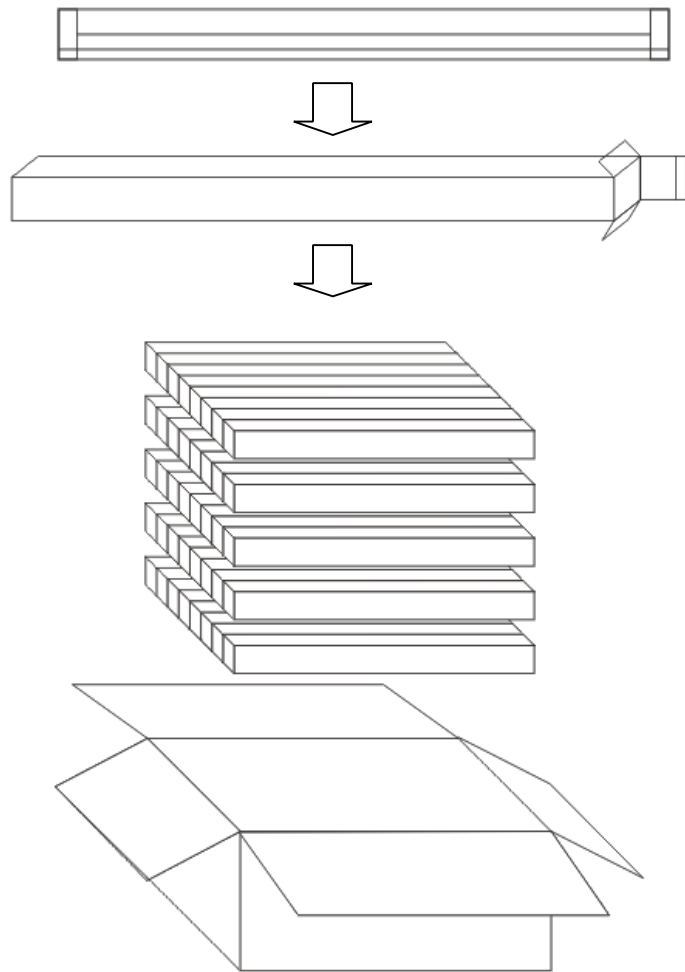


**Package:**

◇ **Packaging Information**

Part No.	Unit weight (Kg).	Qty (pcs/ctn)	Packing weight (Kg)	Packing size (mm)
NS-T5-2H7	0.22	40	9.5	675*350*140

◇ **Packaging method**



1 pcs LED tube in a paper tube

40 pcs tubes in a inner box Size:  
675mm\*350mm\*140mm

◇ **Note:**

- a、 The above parameters can be modified without prior notification. If there is any change, according to the real object please.
- b、 We reserve the right to amend the data without any prior notification. Sorry for the inconvenience caused.