



Specification

Product Name:	LED DOWNLIGHT
Part No.:	NS-TD3-H7
Date:	2012.9.15
Version	V1.0

Foshan NationStar Optoelectronics Co., Ltd.		
LED Lighting Branch		
DRAFT	CHECK	CONFIRM



NS-TD3-H7

1. Product Features:

1. Environmental friendly product without Hg, Pb or other contaminants.
2. Applied with high intensity die-casting aluminium cover, elegant and durable.
3. Integrated die-casting design for heat dissipation, concise structure, smaller and lighter heat sink.
4. Low lumens depreciation rate and high bright small power LEDs for lighting source, offering good lighting performance.
5. High thermal conductivity aluminium PCB, quick and effect heat dissipation.
6. Low power consumption and long lifespan, high reliability, energy-saving and environmental friendly
7. External constant current power supply, voltage input (C110—240V)

2. Application

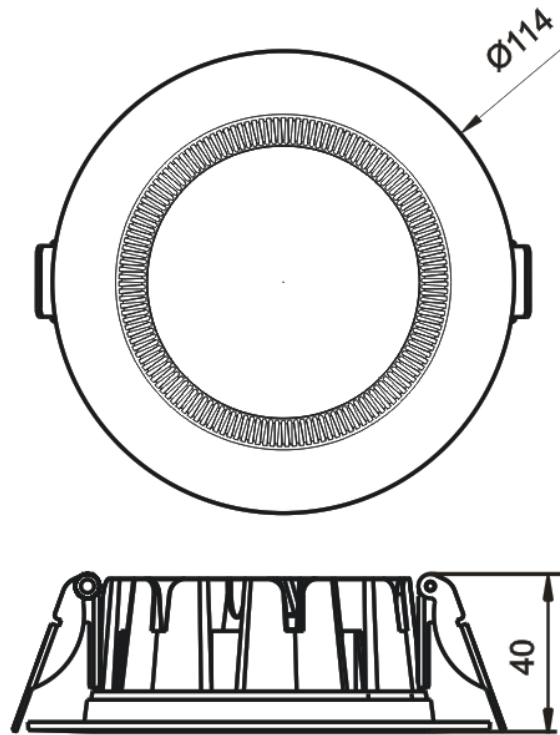
Widely used in home lighting, entertainment area lighting, office lighting, hotels and business lighting.

3. Optical parameters

Parameter	Value	单位
Input voltage	AC100-240	V
Power factor	≥0.5	-
Frequency	50/60	Hz
Illuminant	LED	
Luminous flux	500	lm
Color temperature	2700~6500	K
CRI	80	-
Light beam	110°	-
Lifespan	30,000	hr
Working temperature	-20~+40	°C
Storage temperature	-30~+60	°C
Working humidity	30%~85%	-
Working humidity	10%~90%	-
Weight	0.22	kg
Cut-out dimension	Φ95	mm
Inner box size	120*120*70	mm
Package size	500*500*300	mm



4.External dimensions



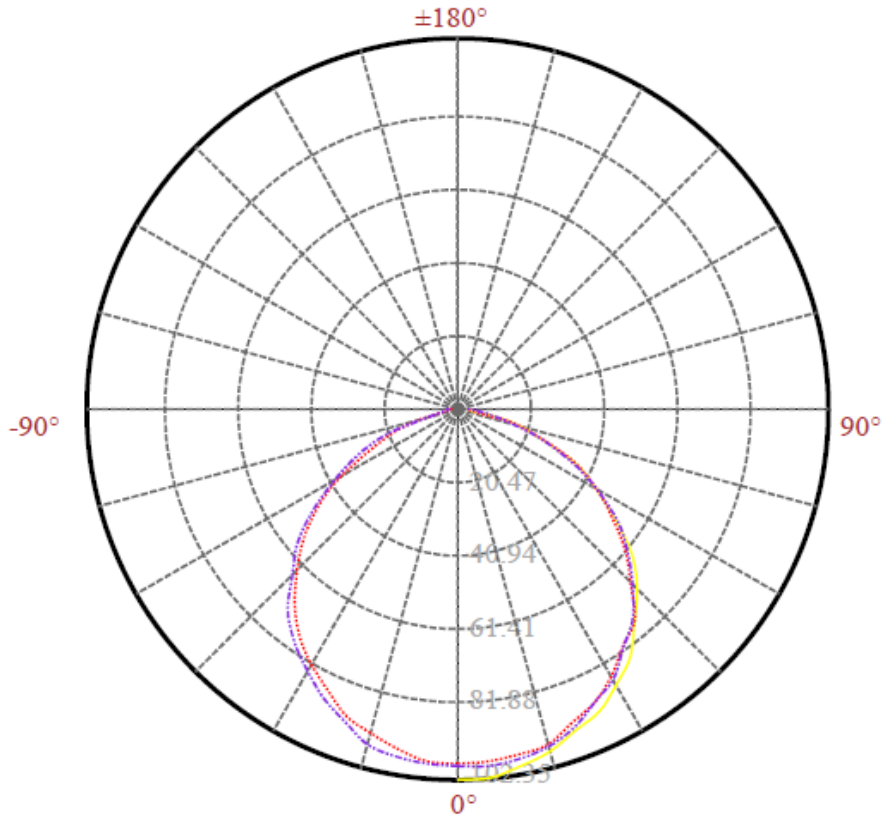
5. Product Picture

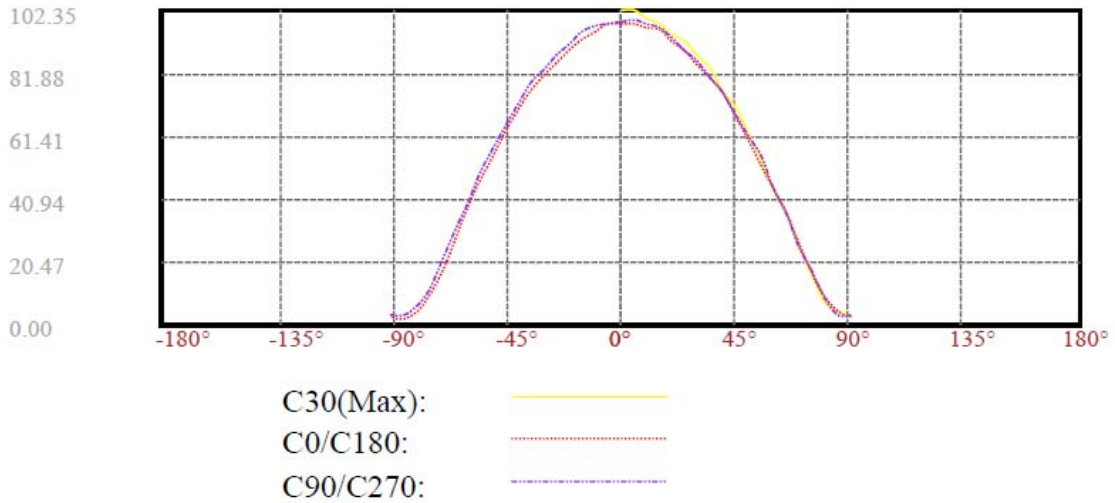




Part No.	Color	Overall dimension (mm) ΦD*H	Package size (mm) L*W*H	Cut-out size (mm)	Weight (kg)
NS-TD3-H7	Spray white	Φ 114*40	120*120*70	Φ 95	0.22

6. Typical Lighting Distribution Curve





Light distribution curve [Unit:cd]

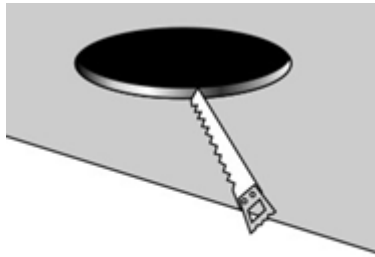
Part No.	Rated input(W)	Power factor	Luminous fulx (lm)	Viewing angle	Color temperature (K)	CRI
NS-TD3-H7	8	PF ≥ 0.5	500	110°	2700~6500	80

7. Installation Direction

Please check the package to see if it is unbroken before installation. Please check if there is a complete set of technical documents, such as specification book, factory inspection reports and so on in the package. Please make sure that there is no damage on the lamp or missing of accessories before installation.

8. Guidance

- ①. Open a right size cut-out hole on the ceiling according to the data sheet, and please note that there should not be any damage to other facilities.
- ②..Connect the cable and put it into the finished hole;
- ③.Press the spring clamp into the direction as the arrow shows, make it vertical to the front panel of the lamp, and then put it into the hole
- ④.Make sure to put the spring clamp into the right position and the front panel of the light is attached closely to the ceiling. The lamp should not be covered by any heat insulation or similar materials in order not to affect the heat dissipation performance.

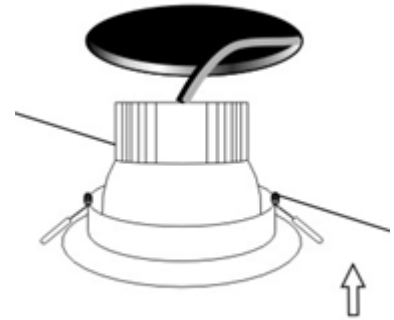


开孔

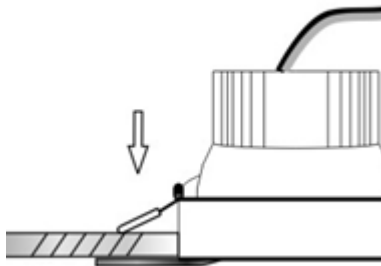
Step 1



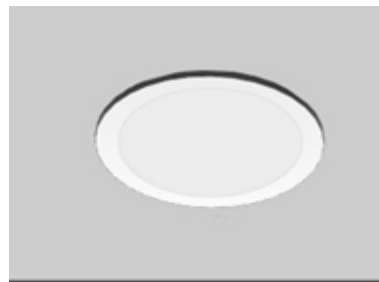
Step 2



Step 3

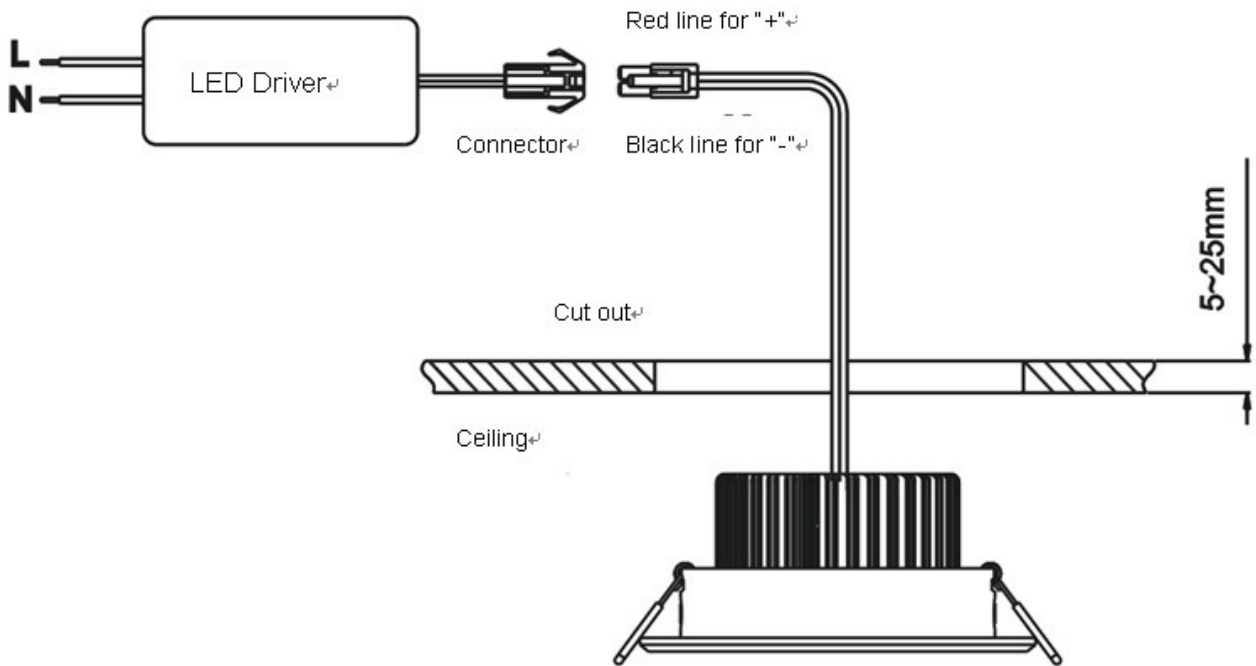


Step 4



Step 5

9. Installtion Manual



Pictures 1-1



10. Caution

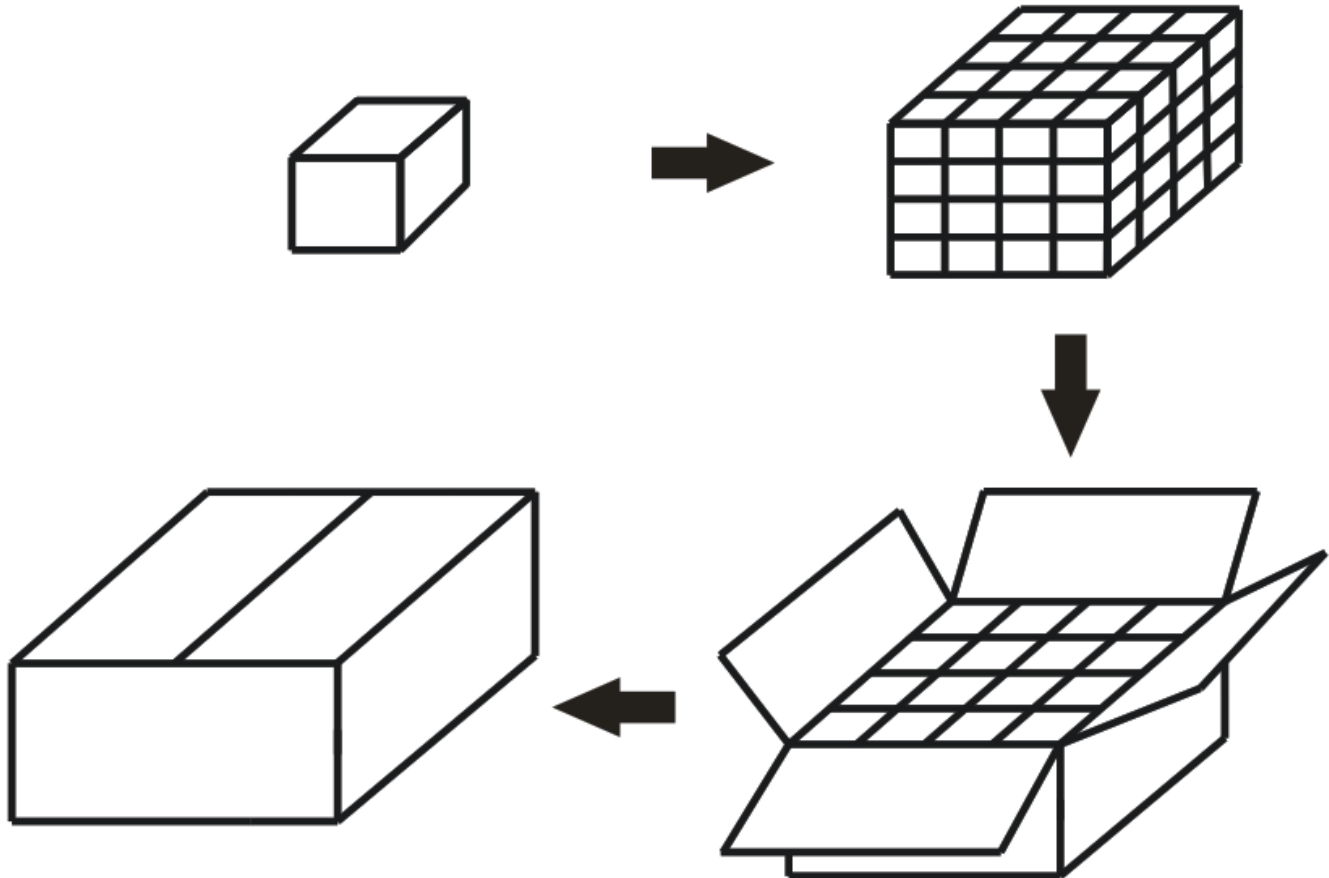
- 1) The installation should be finished by professional technicians. Please read this manual carefully before installation and operate according to it strictly. We will not bear any responsibility for damage or accidents caused by not following this guidance.
- 2) Make sure to install the lamps and connect the cable when power is off.
- 3) Don't break any fireproof laws when using the lamps.
- 4) Please ask for help from professional technicians or contact us when there is any breakdown to the lamps.

11. Warning

- 1) Don't use any lamps without complete accessories.
- 2) Please disassemble the lamp to make the maintenance or repair on the ground
- 3) Don't disassemble the lamp or change any accessories when the power is on.
- 4) Don't make any change to the structure or components of the lamp. Don't change the circuit map when repairing the lamp. Don't make any change the specification or parameter of the electrical components
- 5) Don't use this lamp for any other purpose except the applications mentioned above.



12.Package



Color box package with paper tray inside

Inner box dimension: 120mm×120mm×70mm

Outer carton dimension: 500mm×500mm×300mm

64pcs for one carton, 16pcs/store, 4 stores

Note:

- a、 All the parameters mentioned above is for reference only. Please refer to the real product when you get it. If there is any revise later, please refer to the revised version.

- b、 NationStar will always keep the right to revise the contents above without notifying the clients in advance. Sorry for any inconvenience caused by this.