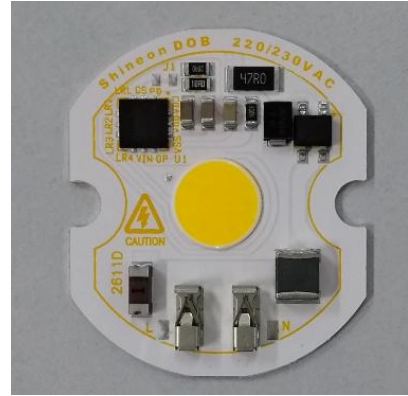


MDF-4437-XXX-X-HXXD-F21B Datasheet

Features

- Connects directly to AC line voltage
- High lumen efficacy
- Power factor >0.95 and low THD
- Triac dimming comply with NEMA SSL-7A
- Compliance with Zhaga (book3)
- Flip-Chip technology



Applications

- Directional
- Spot light
- Track Light

Electro-Optical Characteristics (Ta=25°C)

Part NO.	Vin (Vac)	Freq. (HZ)	CIE	CRI	Power(W)			Flux(lm)	
					Min	Typ.	Max	Min	Typ.
MDF-4437-270-H-H10D-F21B	230	50	5step @2700K	>80	9.3	10	10.7	950	1050
MDF-4437-300-H-H10D-F21B	230	50	5step @3000K	>80	9.3	10	10.7	1000	1100
MDF-4437-400-H-H10D-F21B	230	50	5step @4000K	>80	9.3	10	10.7	1100	1200
MDF-4437-300-H-H15D-F21B	230	50	5step @3000K	>80	14.0	15	16.0	1400	1550
MDF-4437-400-H-H15D-F21B	230	50	5step @4000K	>80	14.0	15	16.0	1500	1650
MDF-4437-300-H-H18D-F21B	230	50	5step @3000K	>80	17.0	18	19.0	1550	1700
MDF-4437-300-H-H20D-F21B	230	50	5step @3000K	>90	19.0	20	21.0	1650	1800

[1] Luminous flux is measured with an accuracy of $\pm 5\%$.

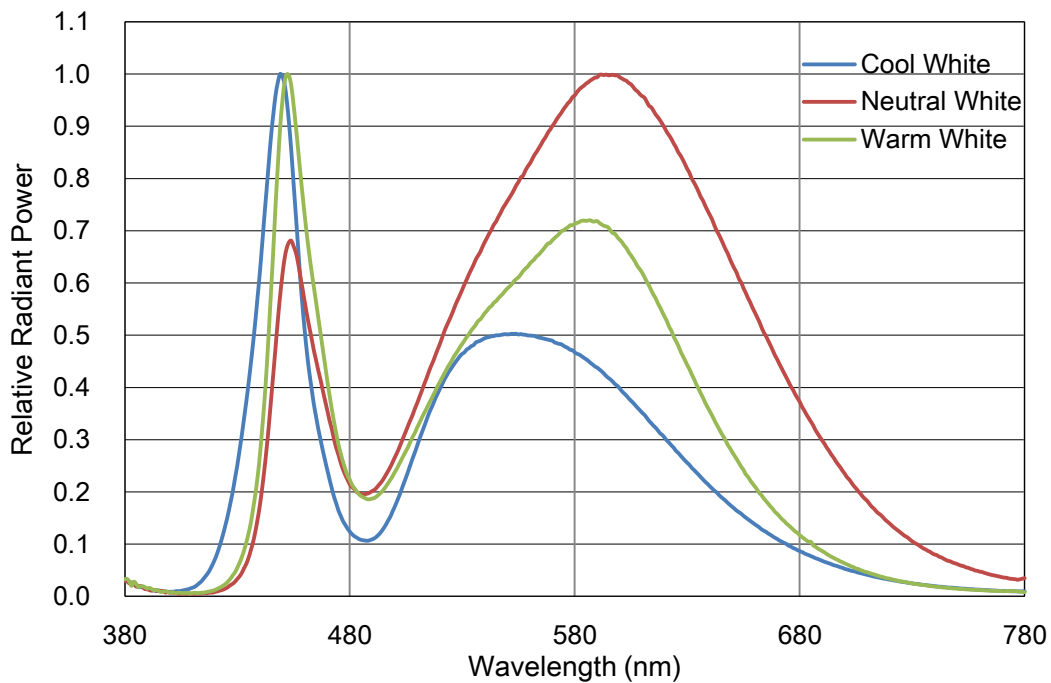
[2] Φ_v is the total luminous flux (Cold status) output measured with an integrated sphere.

[3] CRI is measured with an accuracy of ± 2 .

Absolute Maximum Ratings (Ta=25°C)

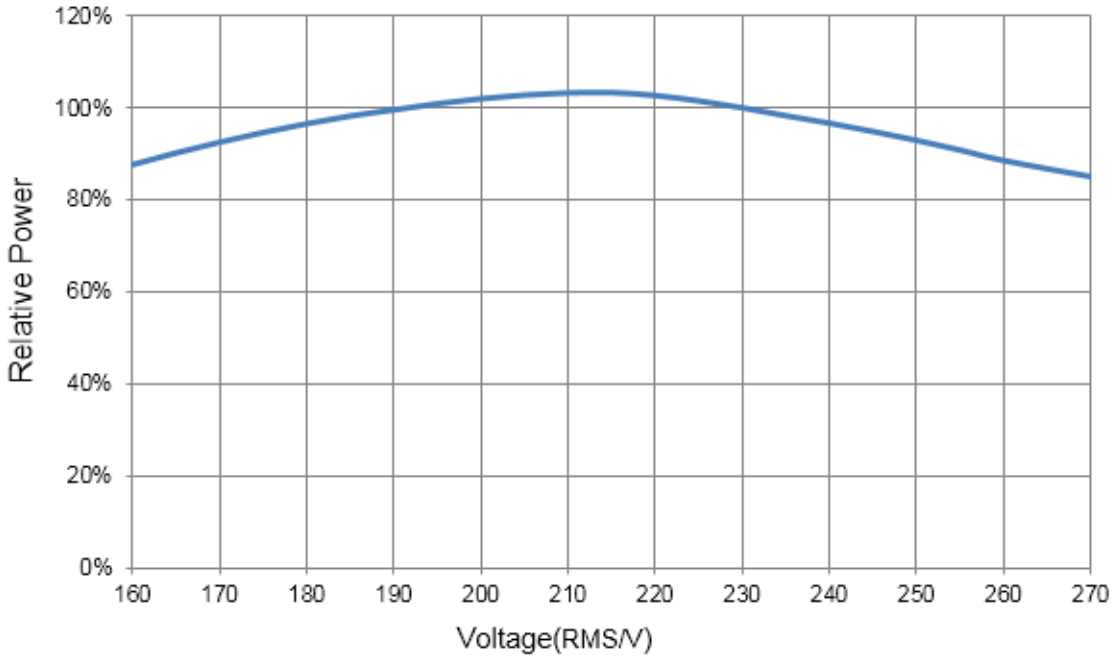
Parameter	Symbol	Value	Unit
Voltage	V _{opt}	140	Vac
LED Solder Temperature	T _s	-20~+85	°C
Storage Temperature	T _{stg}	-40~+100	°C
ESD Sensitivity(HBM)	--	±4000	V

Relative Spectral Distribution vs. Wavelength Characteristic

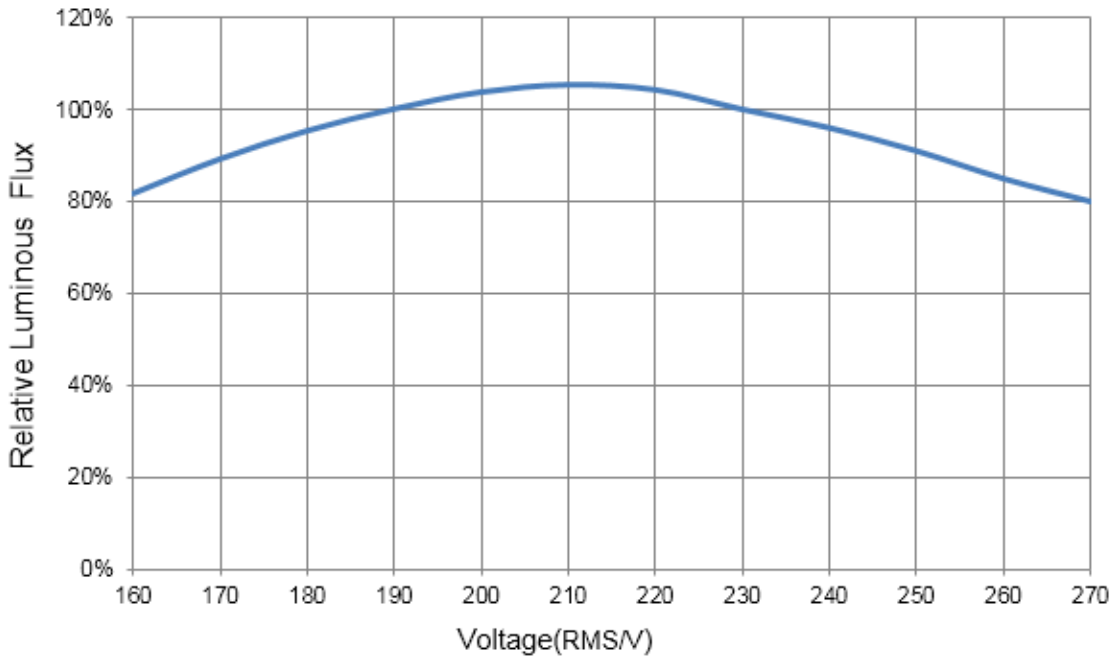


Power Characteristics

Relative Power Distribution vs. Voltage at Ta=25°C

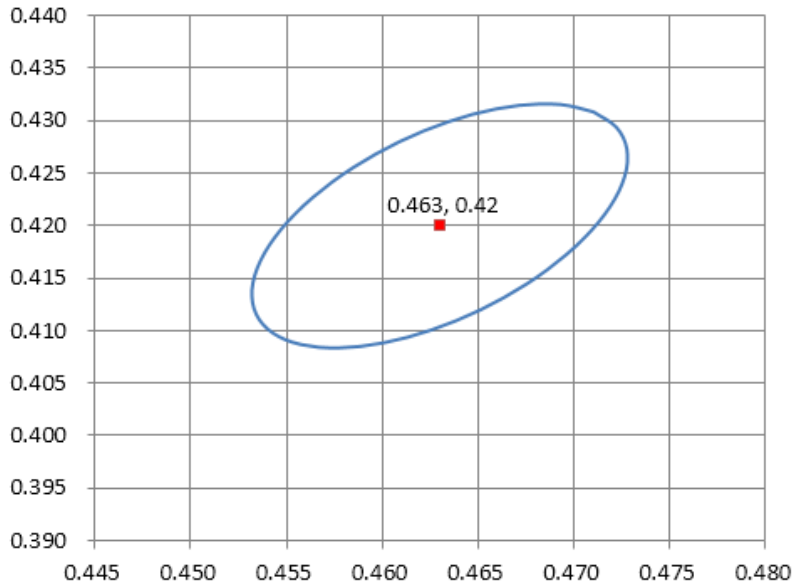


Relative Luminous Flux vs. Voltage at Ta=25°C

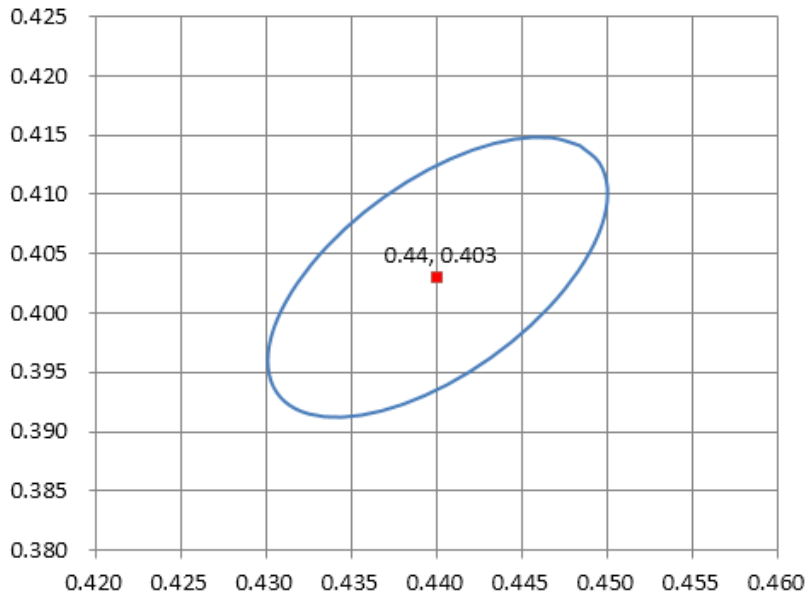


Chromaticity Bins

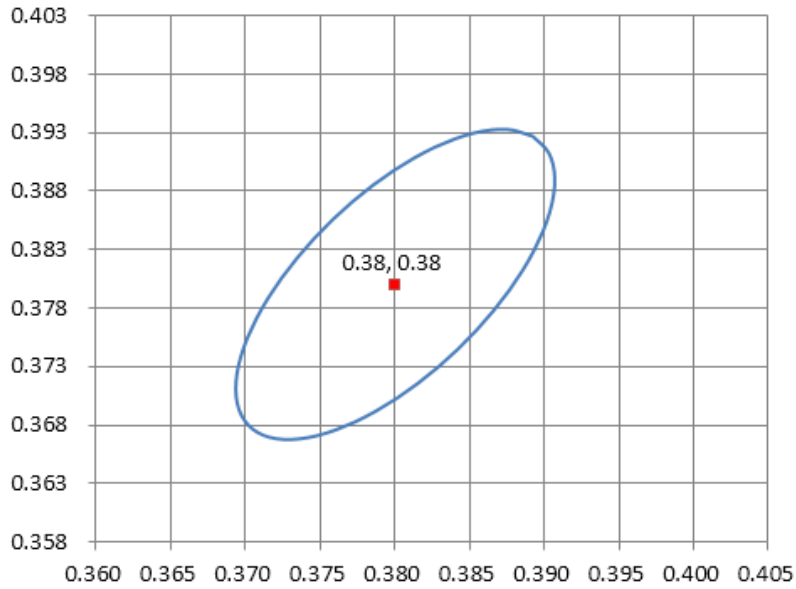
Chromaticity Bins: 1931 CIE Curve



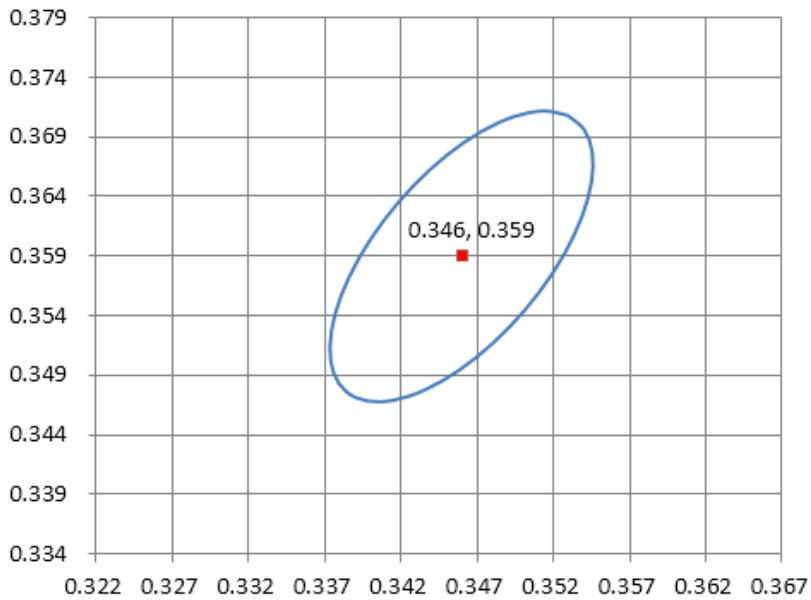
BIN CODE	CCT	Color Coordinates(x, y)				
		Center		Oval parameter		
270	2700K (5-STEP)	x	y	a	b	Theta°
		0.463	0.42	0.0135	0.007	53.42



BIN CODE	CCT	Color Coordinates(x, y)				
		Center		Oval parameter		
300	3000K (5-STEP)	x	y	a	b	Theta°
		0.44	0.403	0.0139	0.0068	53.17

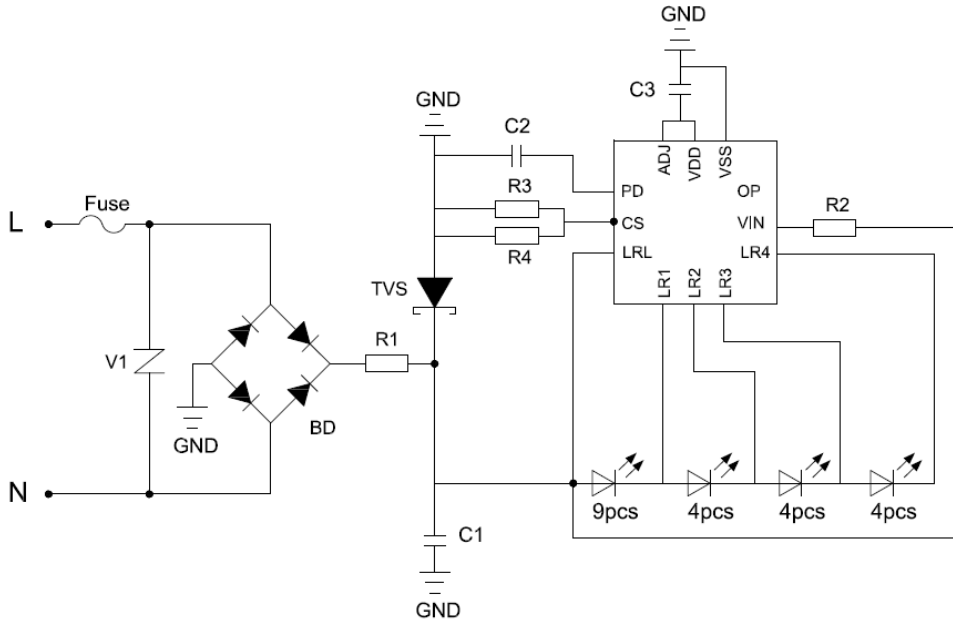


BIN CODE	CCT	Color Coordinates(x, y)				
		Center		Oval parameter		
		x	y	a	b	Theta°
400	4000K (5-STEP)	0.38	0.38	0.01565	0.0067	54

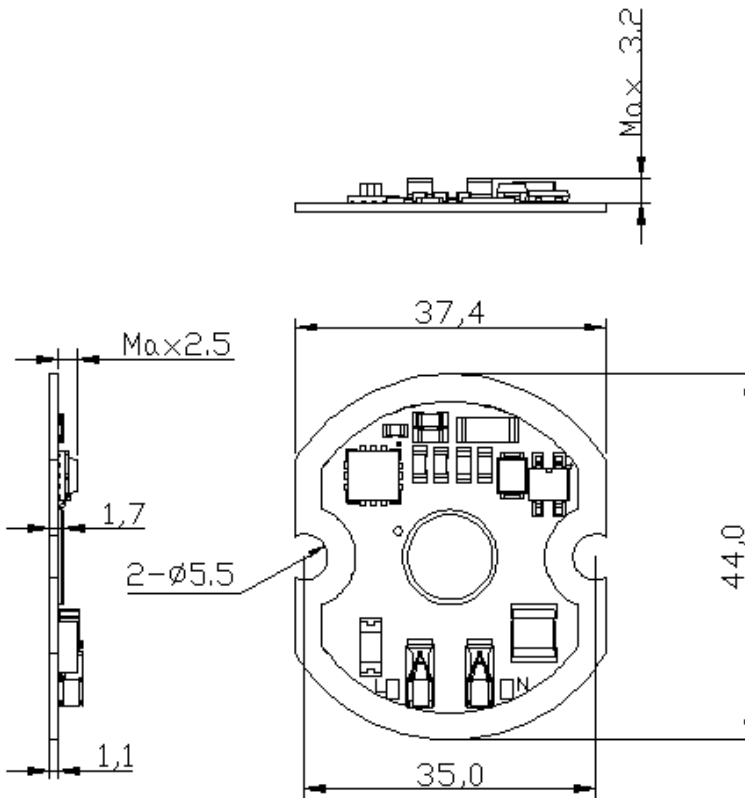


BIN CODE	CCT	Color Coordinates(x, y)				
		Center		Oval parameter		
		x	y	a	b	Theta°
500	5000K (5-STEP)	0.346	0.359	0.0137	0.0059	59.62

Circuit Drawing

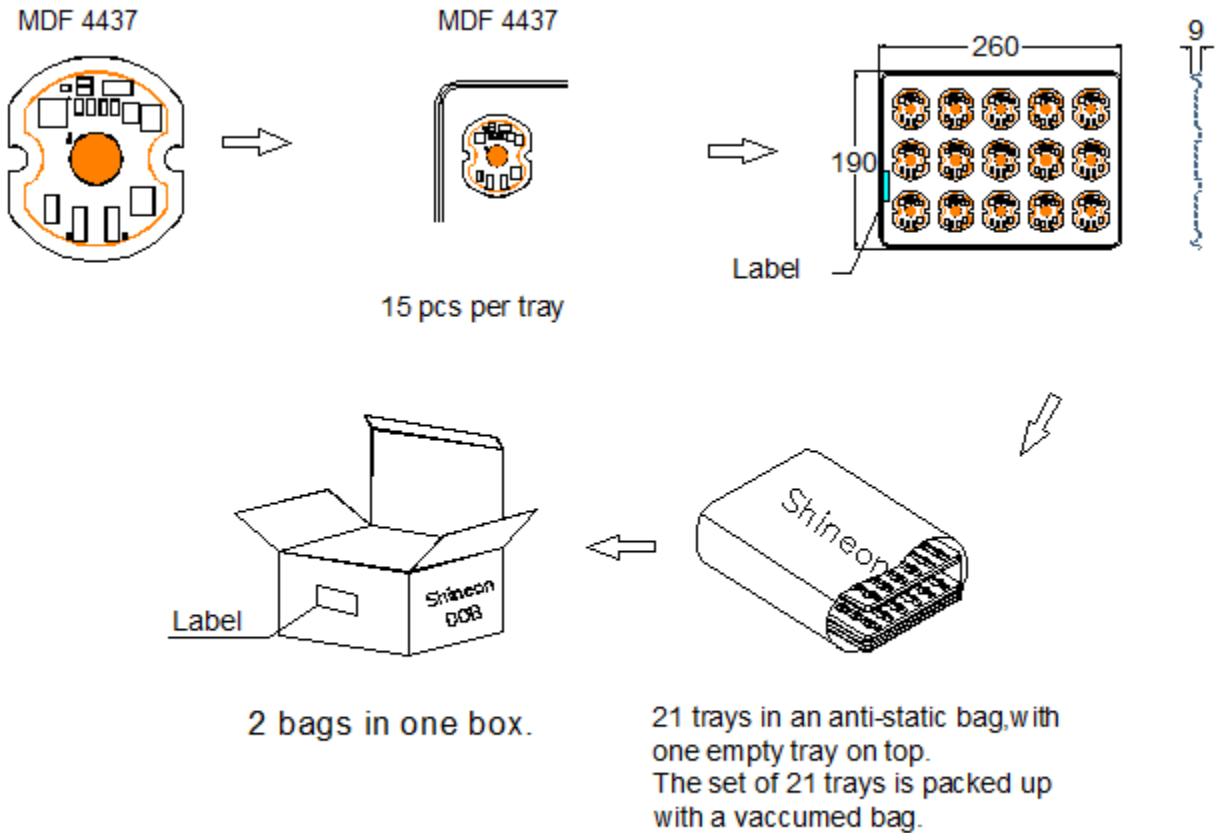


Outline dimensions



[1] All dimensions are in millimeters. (Tolerance : ± 0.2)

Packing



Notes:

Remove the protective film before use in the first time.

Precaution for use

- Please do not press the silicone resin area with objects such as finger, lens.
- DO NOT touch any of the circuit board, components or terminals with body or metal while circuit is active.
- DO NOT plug out from terminal while wire was plugged in.
- DO NOT peel the wire too long in case of the bare wire shorting to the aluminum substrate.