

6.0 mm×3.5 mm SMD Light Touch Switches

Type: **EVQPE1/EVQPN/EVQ5P**



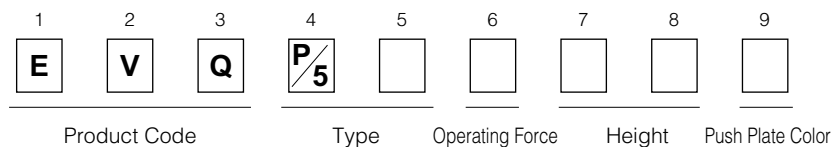
■ Features

- External dimensions : 6.0 mm×3.5 mm, Height 4.3 mm, 5.0 mm

■ Recommended Applications

- Operating switches for other electronic equipment

■ Explanation of Part Numbers



■ Product Chart

	Type	SMD	Height
Operating Force	1.0 N±0.5 N	EVQPE1	H=4.3 mm H=5.0 mm
	1.6 N±0.5 N	EVQPNF	
	2.4 N±0.6 N	EVQ5PN	

■ Specifications

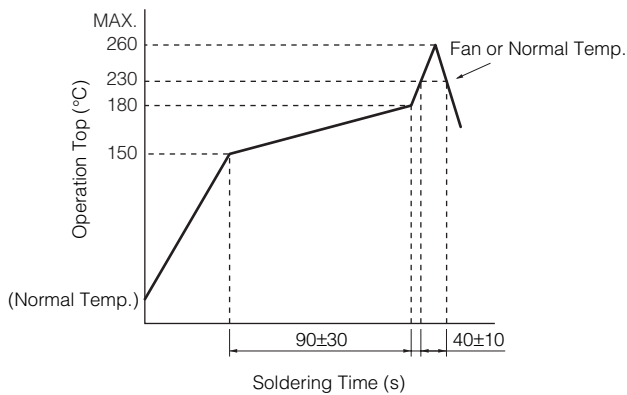
Type	Snap action/Push-on type SPST		
Electrical	Circuit Diagram		
	Rating	10 μA 2 Vdc to 50 mA 12 Vdc (Resistive load)	
	Contact Resistance	100 mΩ max.	
	Insulation Resistance	100 MΩ min. (at 100 Vdc)	
	Dielectric Withstanding Voltage	250 Vac for 1 minute	
	Bouncing	10 ms max. (ON, OFF)	
Mechanical	Operating Force	1.0 N±0.5N (Low force type) 1.6 N±0.5 N (Standard)	2.4 N±0.6 N
	Travel	0.25 mm ^{+0.20} / _{-0.10} mm	
Endurance	Operating Life	50000 cycles min.	30000 cycles min.
Operating Temperature		-30 °C to +85 °C	
Storage Temperature		-40 °C to +85 °C (Bulk) -20 °C to +60 °C (Taping)	
Minimum Quantity/Packing Unit		2000 pcs. Embossed Taping(Reel Pack) (H = 5.0 mm)	2500 pcs. Embossed Taping(Reel Pack) (H = 4.3 mm)
Quantity/Carton		10000 pcs. (H = 5.0 mm)	12500 pcs. (H = 4.3 mm)

Design and specifications are each subject to change without notice. Ask factory for the current technical specifications before purchase and/or use. Should a safety concern arise regarding this product, please be sure to contact us immediately.

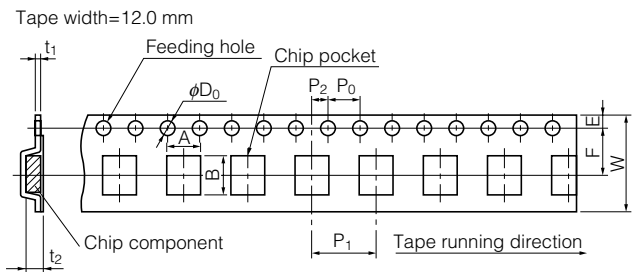
■ Dimensions in mm (not to scale)

EVQPE1 EVQPNF EVQ5PN (Embossed Taping)				
				Circuit diagram PWB land pattern for reference
Part Numbers	Operating Force	H=Height	Push Plate Color	Operating Life
EVQPE104K	1.0 N	4.3 mm	Black	50000 cycles
EVQPE105K	1.0 N	5.0 mm	Black	50000 cycles
EVQPNF04M	1.6 N	4.3 mm	Natural	50000 cycles
EVQPNF05M	1.6 N	5.0 mm	Natural	50000 cycles
EVQ5PN04K	2.4 N	4.3 mm	Black	30000 cycles
EVQ5PN05K	2.4 N	5.0 mm	Black	30000 cycles

■ Recommended Reflow Soldering Conditions



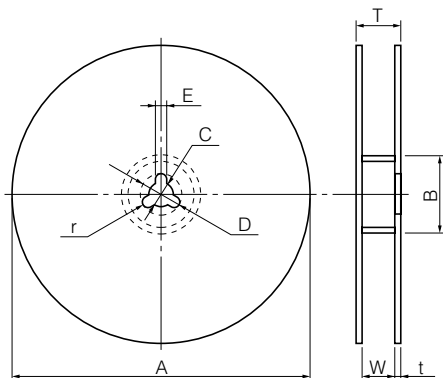
● Embossed Carrier Taping



Part No.	Height	A	B	W	F	E	P ₁	P ₂	P ₀	D ₀ Dia.	t ₁	t ₂
EVQPE1 EVQPN EVQ5P	4.3/5.0	5.8±0.2	7.9±0.2	12.0±0.3	5.5±0.1	1.75±0.10	8.0±0.1	2.0±0.1	4.0±0.1	1.5 ^{+0.1} ₀	0.4±0.05	4.5/5.2±0.2

Unit: mm

● Standard Reel Dimensions in mm (not to scale)



Item	A	B	C	D	E
Rate (mm)	φ370.0±2.0	φ50.0 min.	φ13.0±0.5	φ21.0±1.0	2.0±0.5
Item	W	T	t	r	
Rate (mm)	14.0±1.5	—	1.0 to 3.0	1.0±0.5	