

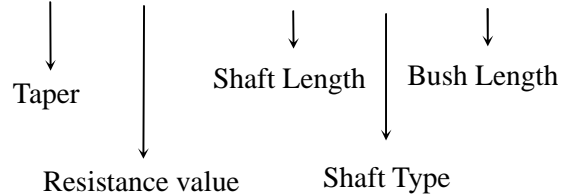


**16mm Metal Shaft Rotary Potentiometer – With Switch**

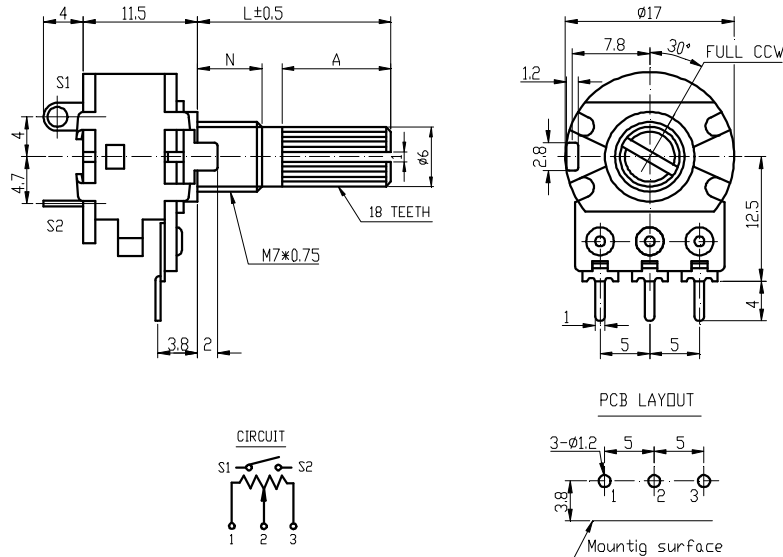


**Part Number**

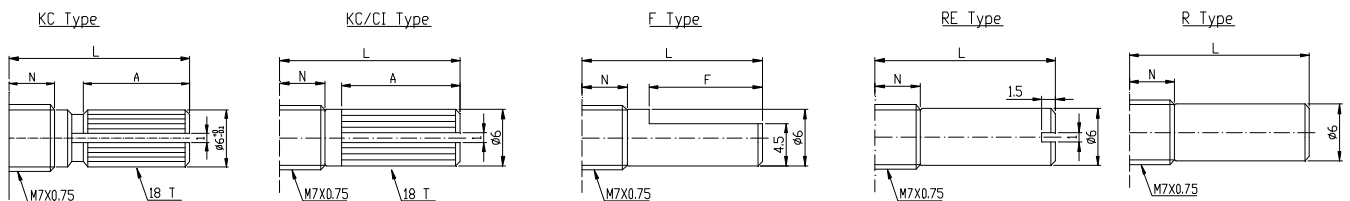
**S16KN1 – B 10K, L- 20 KC/N=6.5**



**Dimensions**



**Shaft Type**



		N=6.5mm							
Shaft Type	L	10	15	17	20	25	30	35	40
KC	A	2.2	6	8	10	12	12	12	12
	M	0.5	1	1	2	2	4	4	4
KC/CI	A	1.5	6.5	8.5	11.5	16.5	19		
F	F	2.5	7	7	12	12	12	12	12
R,RE	L	10	15	17	20	25	30	35	40

		N=5mm								
Shaft Type	L	10	12	15	17	20	25	30	35	40
KC	A	3.2		6	8	12	12	12	12	12
	M	0.5		1	1	2	2	4	4	4
KC/CI	A	1.5	5	8	10	13				
F	F	4	4	7	7	12	12	12	12	12
R,RE	L	10		15	17	20	25	30	35	40

**16mm Metal Shaft Rotary Potentiometer – With Switch****General**

Operating temperature	-10 °C ~ +70 °C
Manual soldering	300 °C Max 3sec

**Electrical Characteristics**

Total resistance	500Ω~2MΩ
Resistance tolerance	±20% (more than 1MΩ ±30%)
Resistance taper	A B C W MN
Sliding noise	Less than 47 mV
Residual resistance	≤ 20 Ω (R>10K) ≤ 10 Ω (R≤10K)
Switch contact resistance	Less than 50 mΩ
Insulation resistance	More than 100 MΩ at DC 500 V
Rated power(W)	Linear (B) taper : 0.125 W Other taper : 0.06W
Switch rated power	125 V/AC 1 A
Max. Operating voltage	Linear (B) taper : 200 V Other taper : 150 V
Withstand voltage	1 Minute at AC 500 V
Switch withstand voltage	1 Minute at AC 1000 V

**Mechanical Characteristics**

Total rotational angle	300°±5 °(Switch angle: 35°±5 °)
Rotational torque	30~200 gf.cm
Switch Action	50~350gf.cm
Rotational stopper strength	8 Kgf.cm Max
Shaft push-pull strength	7 Kgf. Max.
Rotational life	15,000 Cycles (Switch life: 10,000 Cycles)