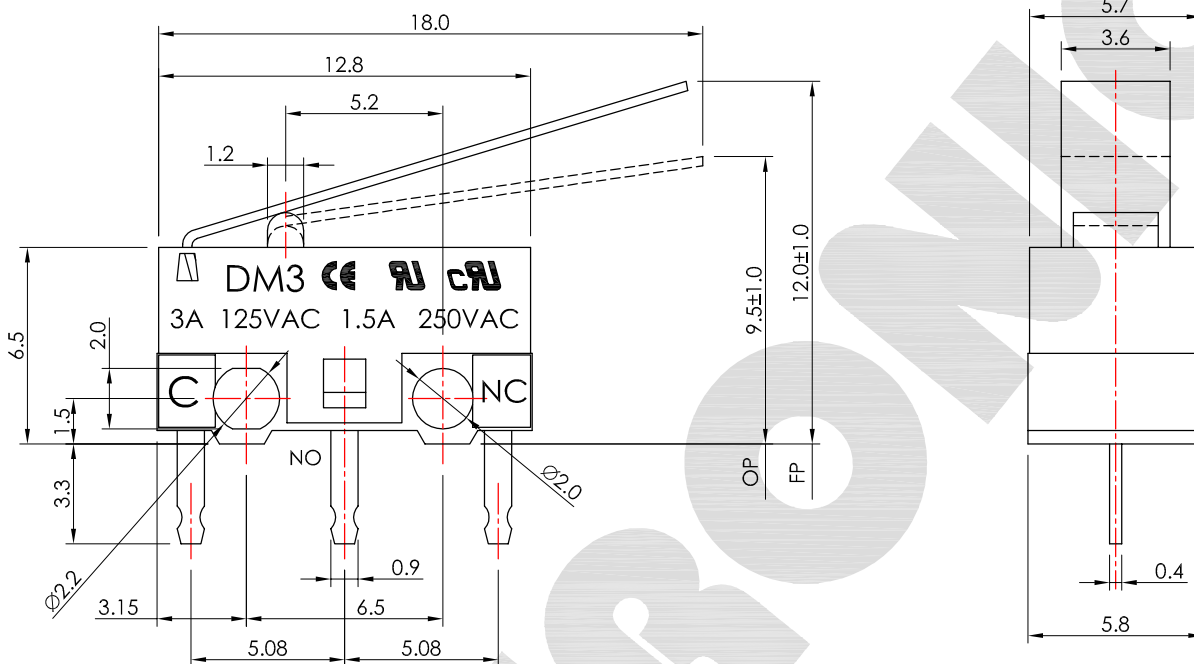
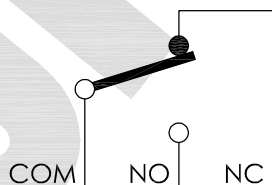


本圖面若與目錄之規格尺寸不符，以本圖面規格尺寸為主。
Below is our main specification if different from catalog.

RoHS compliant



SCHEMATIC



RoHS compliant

DM3-03P-~~XX~~G-G

OPERATING FORCE

15, 25, 35

SPECIFICATION

- Rating: 3A 125V AC/1.5A 250V AC.
- Contact resistance: ≤100mΩ.(initial)
- Insulation resistance: ≥100MΩ DC 500V.(initial)
- Withstand voltage: 500V AC 1 minute.(initial)
- Operating temperature: -25°C ~ +75°C.
- Ambient humidity range: <85% RH.
- Operating force: 25±15g.
- Minimum load: 100mA 10V DC.(reference only)
- Mechanical life: 500,000 Cycles.
- Electrical life: 10,000 Cycles.
- Soldering temperature: 225°C Max for 3 Sec.
- Soldering time: 1 time only.
- Note: Not washable, don't immerse into epoxy and organic solvent.



V2.2	△		
V2.1	無	改 版	2009.01.20
V2.0	無	新繪製	2007.04.24
版本 VER.	符號 SYMBOL	修 改 內 容 ALTERATION	更 新 日 期 DATE

產品 PRODUCT		Micro Switch		型號 MODEL NO.	DM3-03P-25G-G
比例 SCALE	4 : 1	單位 UNIT	mm	<p>一綺電子企業股份有限公司 總公司：110 台北市信義路四段415號13樓之3 13F-3 NO. 415, SEC. 4, HSIN YI ROAD, TAIPEI, TAIWAN TEL : 886-2-27290229(Rep.) FAX : 886-2-27582086 URL : http://www.switronic.com.tw E-MAIL : switches@ms36.hinet.net</p>	
公差 TOLERANCE	.X=±0.3mm, .XX=±0.2mm				
製圖 DRAWN BY	核圖 CHECKED BY	主管 APPROVED BY			
Jack Liao	Alex Lin	Margaret Lee			