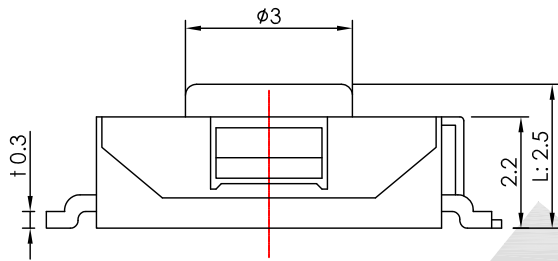
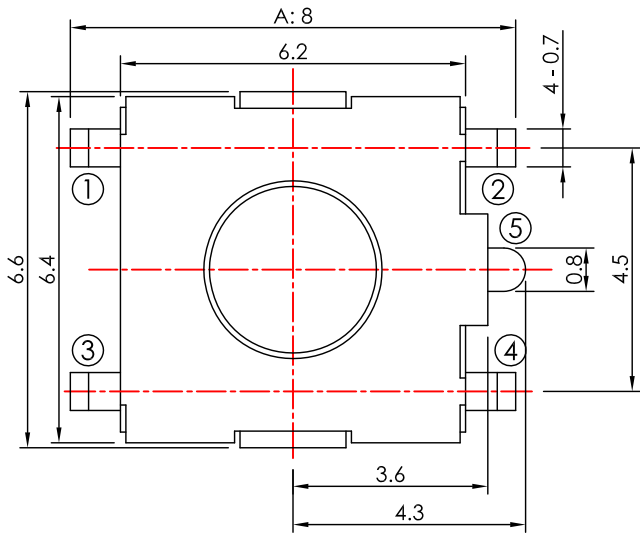


\*開關產品未經SWITRONIC同意，請勿拆解，否則無法負品質及安全責任。

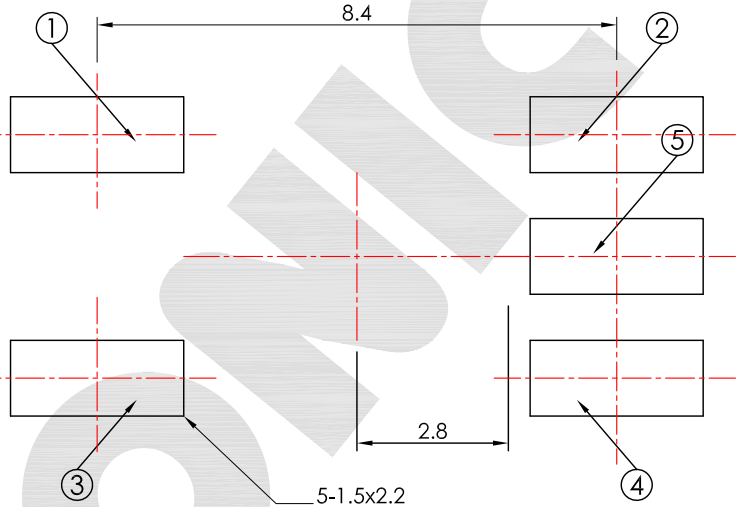
Please do not decompose the switch without any permission from SWITRONIC, otherwise the quality and safety responsibility could not be guaranteed.

\*本圖面若與目錄之規格尺寸不符，以本圖面規格尺寸為主。

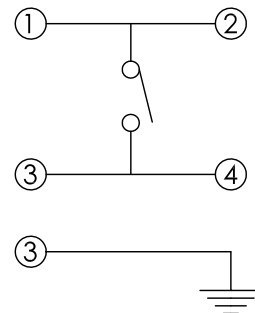
Below is our main specification if different from catalog.



P.C.B. LAYOUT



CIRCUIT DIAGRAM



IT-1157XXNP-XXXG-G

TER' LENGTH		STEM HEIGHT (L)		OPERATING FORCE	
A	8	S	2.5	100, 130, 160, 250, 350	
B	10	H	3.1		
		Q	3.8		



SPECIFICATION

- Rating: 50mA 12V DC Max.
- Circuit: SPST.
- Travel: 0.25±0.1mm.
- Contact resistance: 100mΩ Max.(initial)
- Operating force: 130±50g.
- Minimun load: 10mA 3.3V DC.(reference only)
- Life: 100,000 Cycles Min.
- Soldering temperature: 250°C Max. for 3 sec.
- Soldering time: 1 time only.
- Note1: Unwashable, don't be immersed by epoxy and organic solvent.
- Note2: Please check the actual size, do not scale the drawing page.

CV3.2	△		
CV3.1	無	改版	2015.04.10
CV3.0	無	新繪製	2007.10.25
版本 VER.	符號 SYMBOL	修改內容 ALTERATION	更新日期 DATE

產品 PRODUCT		Tact Switch		型號 MODEL NO.		IT-1157ASNP-130G-G	
比例 SCALE	7 : 1	單位 UNIT	mm				
公差 TOLERANCE	.X=±0.3mm, .XX=±0.2mm						
製圖 DRAWN BY	核圖 CHECKED BY	主管 APPROVED BY					
Peter Kuo	Chuck Young	Margaret Lee					

**SWITRONIC**  
INDUSTRIAL CORP.  
**Switches**



一綺電子企業股份有限公司

總公司：110 台北市信義路四段415號13樓之3  
13F-3 NO. 415, SEC. 4, HSIN YI ROAD, TAIPEI, TAIWAN  
TEL : 886-2-27290229 (Rep.) FAX : 886-2-27582086  
URL : http://www.switronic.com.tw  
E-MAIL : switches@ms36.hinet.net