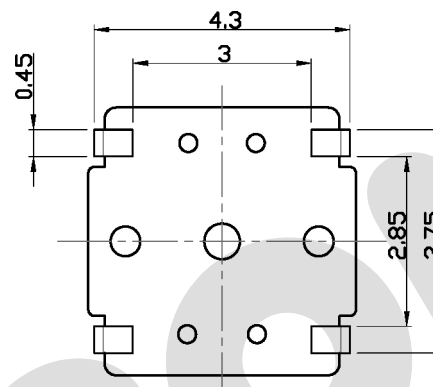
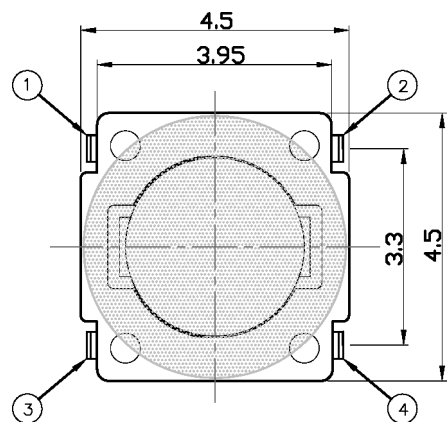


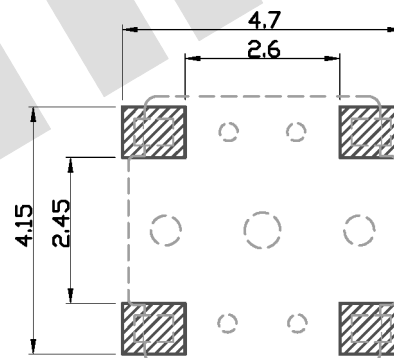
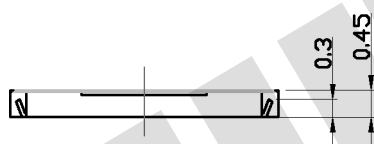
版本：V2.2

本圖面若與目錄之規格尺寸不符，以本圖面規格尺寸為主。  
Below is our main specification if different from catalog.

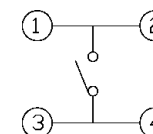
RoHS compliant



P.C.B. LAYOUT



CIRCUIT DIAGRAM



**SPECIFICATION**

Rating: 50mA 12V DC.

Travel: 0.15±0.1mm.

Contact resistance: 100mΩ Max.(initial)

Operating force: 250±50g.

Life: 100,000 Cycles.

Soldering temperature: 250°C Max. for 3 sec.

Soldering time: 1 time only.

Note: Unwashable, don't be immersed by epoxy and organic solvent.

產品 PRODUCT		Tact Switch		型號 MODEL NO.	IT-1199A-250G-G
製圖 DRAWN BY	核圖 CHECKED BY	主管 APPROVED BY	單位 UNIT	mm	
Stan Huang	Alex Lin	Margaret Lee	比例 SCALE	10 : 1	
			公差 TOLERANCE	±0.2mm	

**SWITRONIC**<sup>®</sup>  
INDUSTRIAL CORP.  
**Switches**



一綺電子企業股份有限公司

總公司：110 台北市信義路四段415號13樓之3

13F-3 NO. 415, SEC. 4, HSIN YI ROAD, TAIPEI, TAIWAN

TEL : 886-2-27290229 (Rep.) FAX : 886-2-27582086

URL : <http://www.switronic.com.tw>

E-MAIL : [switches@ms36.hinet.net](mailto:switches@ms36.hinet.net)