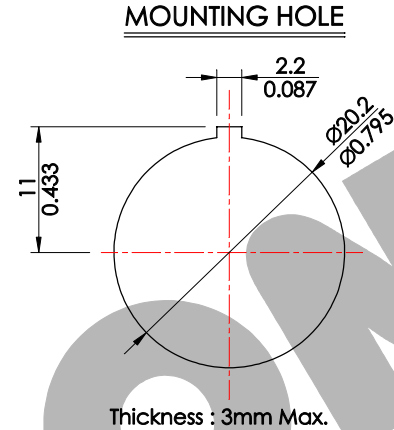
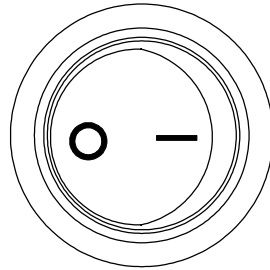


\*開關產品未經SWITRONIC同意，請勿拆解，否則無法負責品質及安全責任。  
Please do not decompose the switch without any permission from SWITRONIC, otherwise the quality and safety responsibility could not be guaranteed.

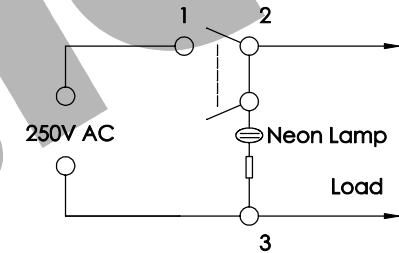
\*本圖面若與目錄之規格尺寸不符，以本圖面規格尺寸為主。  
Below is our main specification if different from catalog.

RoHS compliant

CIRCUIT SPST



CIRCUIT OF SWITCH



POLE FUNCTION	OPTIONS OF FUNCTION		
	A	Center	B
SPST	1-2	None	Off

**SPECIFICATION**

**Rating:** 10A 250V AC / 15A 125V AC.(UL)  
10(4)A 250V AC.(VDE, ENEC10)

**Function:** OFF-ON.

**Contact resistance:** <20mΩ.(initial)

**Insulation resistance:** >1,000MΩ.(500V DC between open contacts)

**Withstand voltage:** >1,500V for 1 minute.

**Minimum load:** 300mA 10V DC.(reference only)

**Mechanical life:** >30,000 Cycles.

**Electrical life:** >10,000 Cycles.

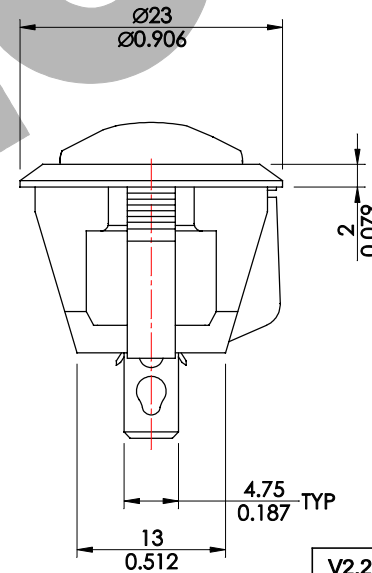
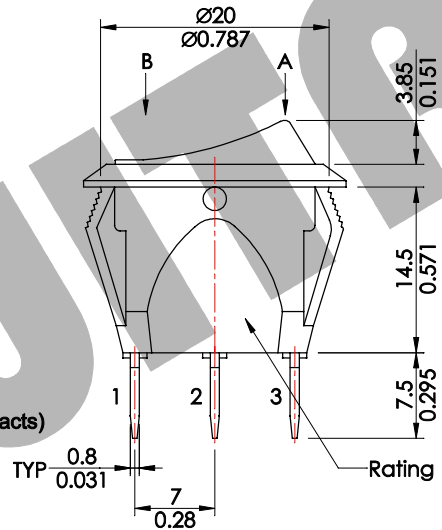
**Temperature rise at the terminal:** 30°C Max.

**When proceed with soldering, please pay attention to following:**

For manual soldering method, must use 30W soldering iron and complete the operation under 350°C within 3 seconds.

**Note1:** Unwashable, don't be immersed by epoxy and organic solvent.

**Note2:** Please check the actual size, do not scale the drawing page.



MARKING refer to our catalog RoHS compliant

RC95XXXXTX-G

HOUSING COLOR		LAMP COLOR		LAMP VOLTAGE	
B	Black	R	Red	1	125V AC
W	White	Y	Yellow	2	250V AC
G	Gray	GN	Green		



VER.	SYMBOL	ALTERATION	DATE
V2.2	△		
V2.1	無	改版	2015.07.29
V2.0	無	新繪製	2011.05.13
版本	符號	修改內容	更新日期
VER.	SYMBOL	ALTERATION	DATE

產品 PRODUCT		Rock Switch		型號 MODEL NO.		RC95BRBT2-G	
製圖 DRAWN BY	核圖 CHECKED BY	主管 APPROVED BY		單位 UNIT	mm inch		
Allen Liao	Chuck Young	Margaret Lee		比例 SCALE	3 : 2		
				公差 TOLERANCE	±.X=0.4mm .XX=0.25mm ±.XXX=0.016in .XXX=0.0098in		

**SWITRONIC**  
INDUSTRIAL CORP.  
**Switches**



一綺電子企業股份有限公司

總公司：110 台北市信義路四段415號13樓之3  
13F-3 NO. 415, SEC. 4, HSIN YI ROAD, TAIPEI, TAIWAN  
TEL : 886-2-27290229 (Rep.) FAX : 886-2-27582086  
URL : http://www.switronic.com.tw  
E-MAIL : switches@ms36.hinet.net