

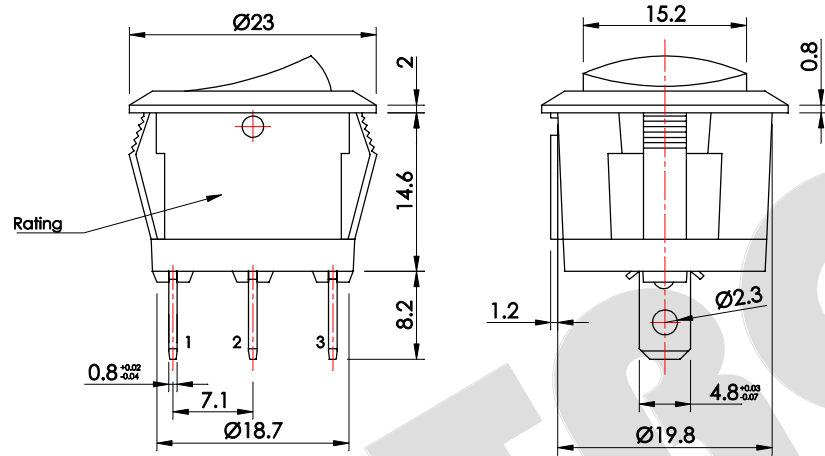
*開關產品未經SWITRONIC同意，請勿拆解，否則無法負品質及安全責任。

Please do not decompose the switch without any permission from SWITRONIC, otherwise the quality and safety responsibility could not be guaranteed.

*本圖面若與目錄之規格尺寸不符，以本圖面規格尺寸為主。

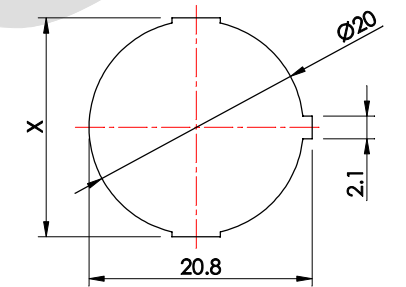
Below is our main specification if different from catalog.

RoHS compliant



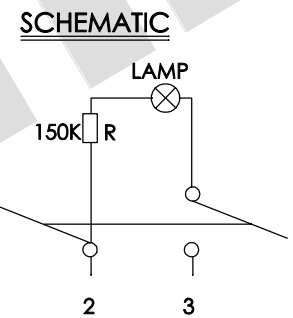
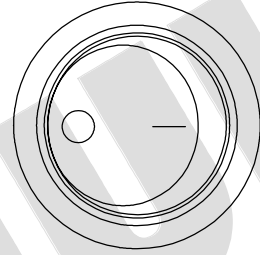
MOUNTING HOLE

Panel thickness	X
0.75 - 1.25	20.2
1.25 - 2.0	20.4
2.0 - 3.0	20.6



SPECIFICATION

Rating: 10A 125V AC.(UL, C-UL)
6(2)A 250V AC.(ENEC)
Circuit: SPST.
Function: ON-OFF.(W/Lamp)
Contact resistance: 30mΩ Max.(initial)
Insulation resistance: 100MΩ Min. at 500V DC.
Withstand voltage: 1500V AC for 1 minute.
Operating temperature: -20°C ~ +80°C.
Operating force: 300~600g.
Minimum load: 300mA 10V DC.(reference only)
Life: 10,000 Cycles.
Soldering temperature: 250°C Max. for 3 sec.
Soldering time: 1 time only.
Note1: Unwashable, don't be immersed by epoxy and organic solvent.
Note2: Please check the actual size, do not scale the drawing page.



MATERIAL

Housing: Nylon 66.(UL-94V-2)
Rocker: PC.(UL-94HB)
Terminal: Copper alloy, Ag plated.
Contact: AgSnO₂In₂O₃(10)/Cu.

RL3-5LXXXXX-H-G

HOUSING COLOR	LAMP COLOR	MARKING	LAMP VOLTAGE	RoHS compliant
B Black	R Red	refer to our catalog	1 125V AC	
W White	Y Yellow		2 250V AC	
G Gray	GN Green			



Version	Symbol	Alteration	Date
V2.0	無	新繪製	2015.06.08
版本	符號	修改內容	更新日期
VER.	SYMBOL	ALTERATION	DATE

產品	Rocker Switch		型號	RL3-5LBGNBT2-H-G
製圖	核圖	主管	單位	mm
DRAWN BY	CHECKED BY	APPROVED BY	SCALE	3 : 2
Peter Kuo	Chuck Young	Margaret Lee	公差 TOLERANCE	.X=±0.3mm, .XX=±0.2mm

SWITRONIC®
INDUSTRIAL CORP.
Switches



一綺電子企業股份有限公司
總公司：110 台北市信義路四段415號13樓之3
13F-3 NO. 415, SEC. 4, HSIN YI ROAD, TAIPEI, TAIWAN
TEL : 886-2-27290229 (Rep.) FAX : 886-2-27582086
URL : http://www.switronic.com.tw
E-MAIL : switches@ms36.hinet.net