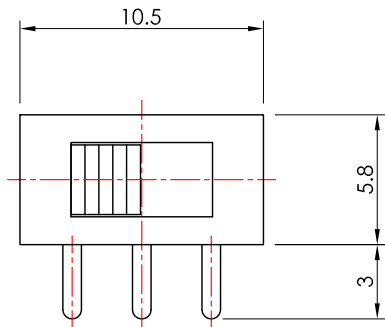


\*開關產品未經SWITRONIC同意，請勿拆解，否則無法負品質及安全責任。

Please do not decompose the switch without any permission from SWITRONIC, otherwise the quality and safety responsibility could not be guaranteed.

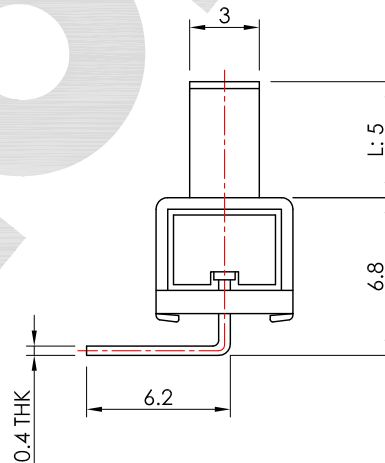
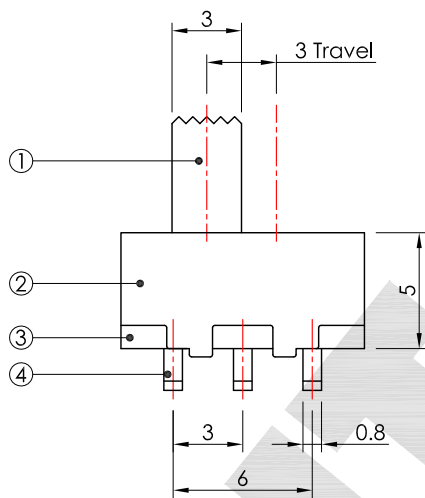
\*本圖面若與目錄之規格尺寸不符，以本圖面規格尺寸為主。

Below is our main specification if different from catalog.



P.C.B. LAYOUT

SCHEMATIC



**SPECIFICATION**

- Rating:** 0.5A 50V DC.
- Circuit:** 1P2T.
- Timing:** Non-Shorting.
- Contact resistance:** 30mΩ Max.(initial)
- Insulation resistance:** 100MΩ Min. at 500V DC.
- Withstand voltage:** 500V AC for 1 minute.
- Minimum load:** 30mA 10V DC.(reference only)
- Life:** 10,000 Cycles.(unloading / 15-18 cycles per minute)
- Soldering temperature:** 230°C Max. for 2±0.5 sec.
- Soldering time:** 1 time only.
- Note1:** Unwashable, don't be immersed by epoxy and organic solvent.
- Note2:** Please check the actual size, do not scale the drawing page.

**MATERIAL**

- Knob:** POM, black. ①
- Frame:** Steel strip, black. ②
- Base:** Phenolic resin, natural. ③
- Terminal:** Brass strip, Ag plated. ④
- Spring:** Steel wire, natural.
- Contact:** Brass strip, Ag plated.

RoHS compliant

SS12F21GX-G

OPTIONAL KNOB SIZE (L)

2 - 8



V2.4	△		
V2.3	無	改版	2015.08.25
V2.2	無	改版	2012.04.12
V2.1	無	圖框改版	2009.02.16
V2.0	無	新繪製	2004.03.11
版本 VER.	符號 SYMBOL	修改內容 ALTERATION	更新日期 DATE

產品 PRODUCT		Slide Switch		型號 MODEL NO.		SS12F21G5-G	
比例 SCALE	3 : 1	單位 UNIT	mm				
公差 TOLERANCE	.X=±0.3mm, .XX=±0.2mm						
製圖 DRAWN BY	核圖 CHECKED BY	主管 APPROVED BY					
Allen Liao	Chuck Young	Margaret Lee					

**一綺電子企業股份有限公司**  
 總公司：110 台北市信義路四段415號13樓之3  
 13F-3 NO. 415, SEC. 4, HSIN YI ROAD, TAIPEI, TAIWAN  
 TEL : 886-2-27290229 (Rep.) FAX : 886-2-27582086  
 URL : http://www.switronic.com.tw  
 E-MAIL : switches@ms36.hinet.net