

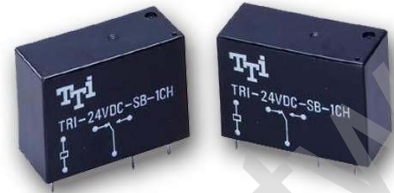


➤ **MAIN FEATURES**

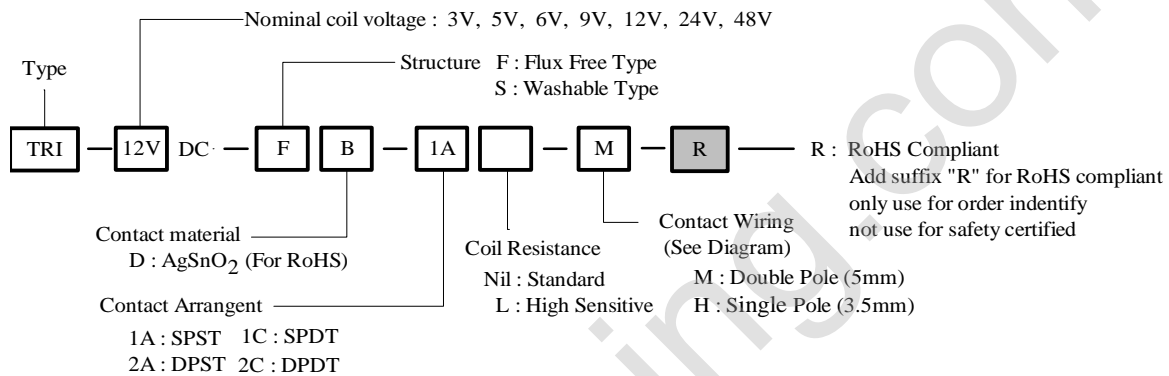
- 10A switching capabilities.
- 1 & 2 pole configurations.
- 5KV dielectric coil to contacts.
- Low height of 12.5mm.
- Sealed & Unsealed types available.
- UL & cUL recognized.

➤ **APPLICATIONS**

- Cooking appliances, air conditioners, audio equipment, domestic appliances, etc.



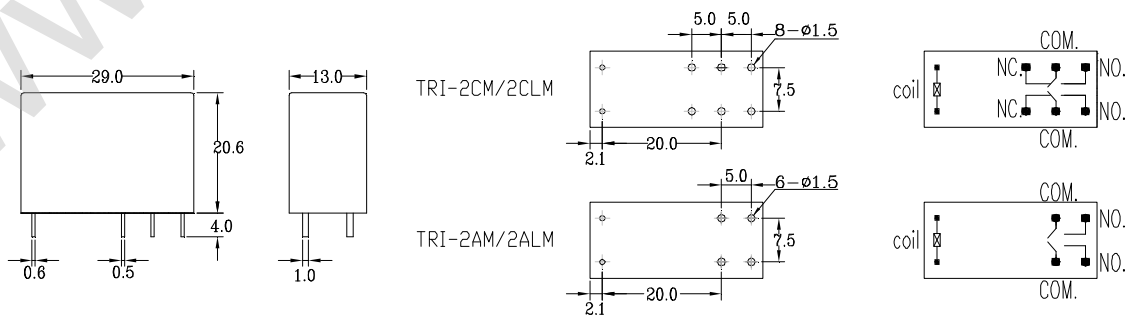
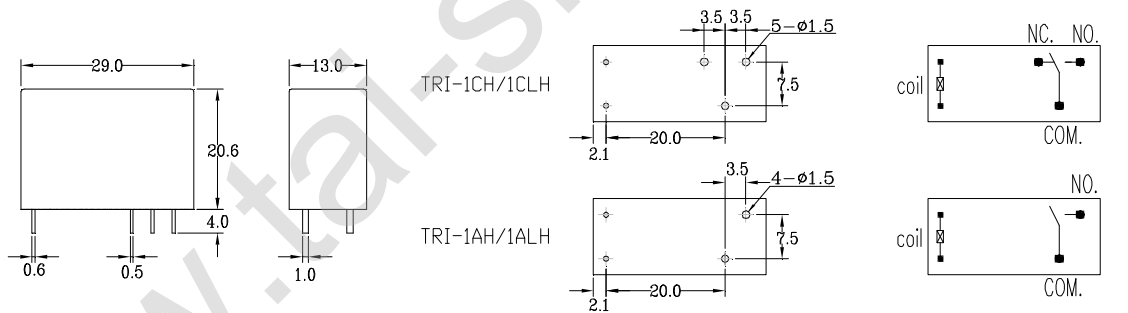
➤ **ORDERING INFORMATION**



■ **DIMENSION (unit:mm)**

■ **DRILLING (unit:mm)**

■ **WIRING DIAGRAM**



➤ **COIL DATA CHART**(at 20°C)

Coil Sensitivity	Nominal Voltage (VDC)	Nominal Current (mA)	Coil Resistance (Ω) $\pm 10\%$	Power Consumption (W)	Pull-In Voltage (VDC)	Drop-Out Voltage (VDC)	Max-Allowable Voltage (VDC)
TRI (STANDARD)	3	240	12.5	abt. 0.72W	80% Max.	5% Min.	130% Max.
	5	138.9	36				
	6	120	50				
	9	78.3	115				
	12	60	200				
	24	29.3	820				
TRI -L (High Sensitive)	48	14.5	3300	abt. 0.54W	80% Max.	5% Min.	130% Max.
	3	126.5	17				
	5	106.4	47				
	6	88	68				
	9	58	155				
	12	44.4	270				
	24	21.8	1100				
	48	10.9	4400				

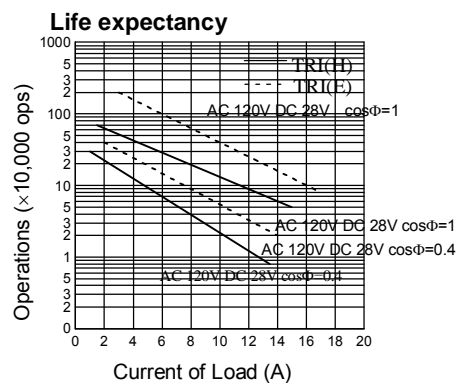
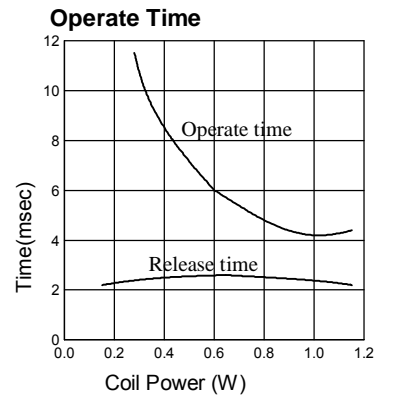
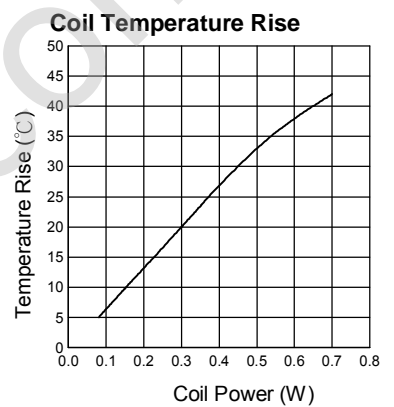
➤ **CONTACT RATING**

Item	Arrangement	SPST-NO (1A), SPDT (1C)	DPST-NO (2A), DPDT (2C)
		H Type	M Type
Contact Capacity		10A 30VDC	5A 30VDC
Resistive Load (cos Φ =1)		10A 250VAC	5A 250VAC
Carrying current		10A	5A
Max. switching voltage		380VAC	380VAC
Max. switching current		10A	5A
Max. switching power		2500VA	1250VA
Min. permissible load		10VDC 10mA	10VDC 10mA
Contact material		Ag alloy	

➤ **PERFORMANCE** (at initial value)

Item	Type	TRI	TRI -L
Contact Resistance		100m Ω Max.	
Operation Time		15msec Max.	20msec Max.
Release Time		8msec Max.	
Dielectric Strength	Between coil & contact	5000VAC 50/60HZ (1 minute)	
	Between contacts	1000VAC 50/60HZ (1 minute)	
Surge Resistiveness		1000V (between coil & contact 1x40 msec)	
Insulation Resistance		100 M Ω Min. (500VDC)	
Max. ON/OFF Switching	Mechanically	300 operation/min	
	Electrically	30 operation/min	
Operating Ambient Temperature		-30°C to +55°C	-30°C to +70°C
		(No water drop condensation)	
Operating Humidity		45 to 80% RH	
Coil Temperature Rise		45 deg. Max.	35 deg. Max.
		(at rated coil voltage)	
Vibration	Endurance	10 to 55Hz Double Amplitude 1.5mm	
	Error Operation	10 to 55Hz Double Amplitude 1.5mm	
Shock	Endurance	100G Min.	
	Error Operation	10G Min.	
Life Expectancy	Mechanically	10 x 10 ⁶ operations. Min.	
	Electrically	10 x 10 ⁴ operations. Min.	
Weight		abt. 13grs.	
UL & cUL		E156406	

➤ **REFERENCE DATA**



This datasheet for reference and subject to change without notice. Please double check final specification with Tai-Shing. (0939AA08VOL01)