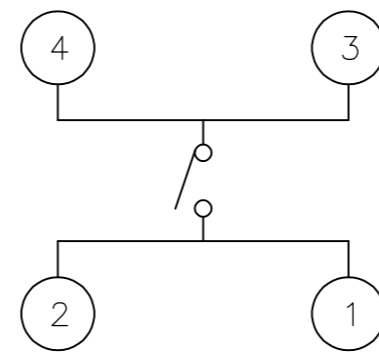
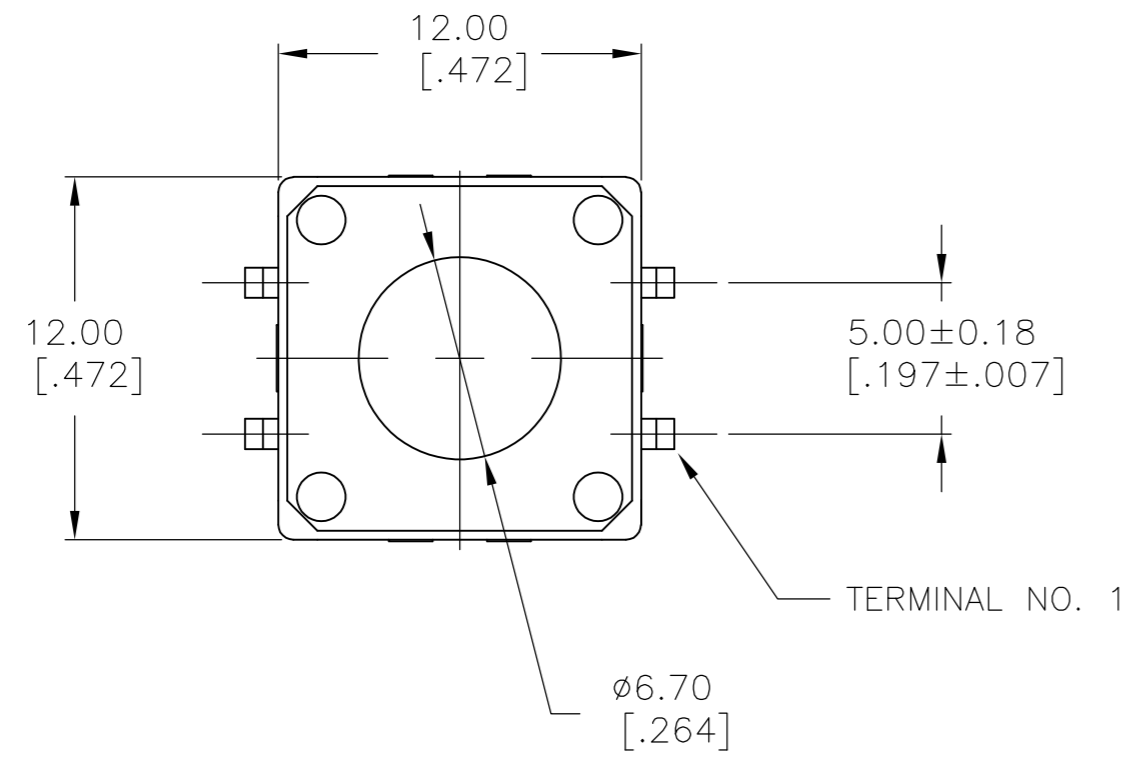


THIS DRAWING IS UNPUBLISHED. RELEASED FOR PUBLICATION 1437565-2, 1437565-2  
 © COPYRIGHT 1437565-2 ALL RIGHTS RESERVED.

LOC		DIST		REVISIONS			
P	LTR	DESCRIPTION		DATE	DWN	APVD	
	D6	REVISED PER ECO-11-011705		07JUN11	HMR	MW	



CIRCUIT DIAGRAM

TERMINAL NUMBERS ARE FOR REFERENCE ONLY AND DO NOT APPEAR ON SWITCHES

SPECIFICATIONS

MATERIALS

CASE: POLYESTER, BLACK  
 COVER: POLYESTER  
 ACTUATOR BUTTON: ACETAL, COLOR-SEE TABLE  
 MOVING CONTACT: COPPER ALLOY, SILVER CLAD  
 FIXED CONTACT/TERMINAL: COPPER ALLOY, SILVER PLATED

ELECTRICAL

MAX CONTACT RATING: 50MILLIAMPS@24V DC  
 MIN CONTACT RATING: 10MICROAMPS@1V DC  
 CONTACT RESISTANCE: 100 MILLIOHMS MAX  
 INSULATION RESISTANCE: 100 MEGOHMS MIN @ 100VDC  
 DIELECTRIC STRENGTH: 500 VAC 50/60 Hz FOR 1 MINUTE  
 LIFE EXPECTANCY: 100,000 CYCLES MIN.

MECHANICAL

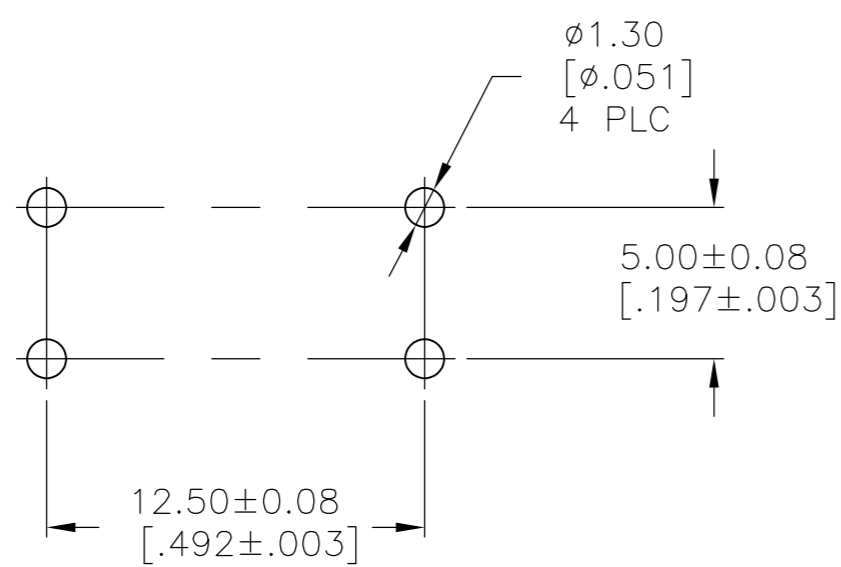
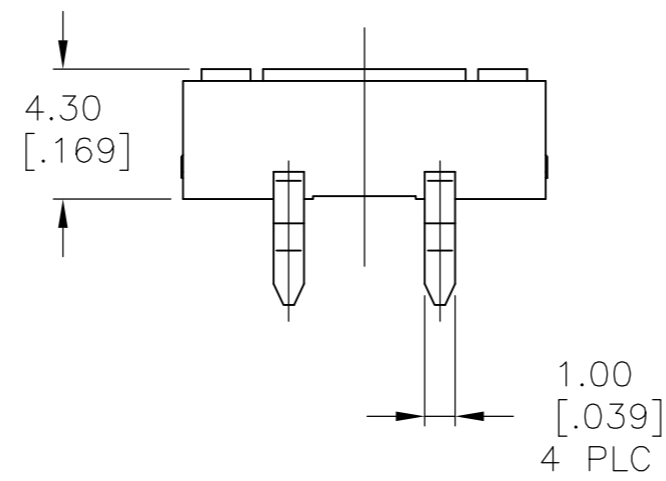
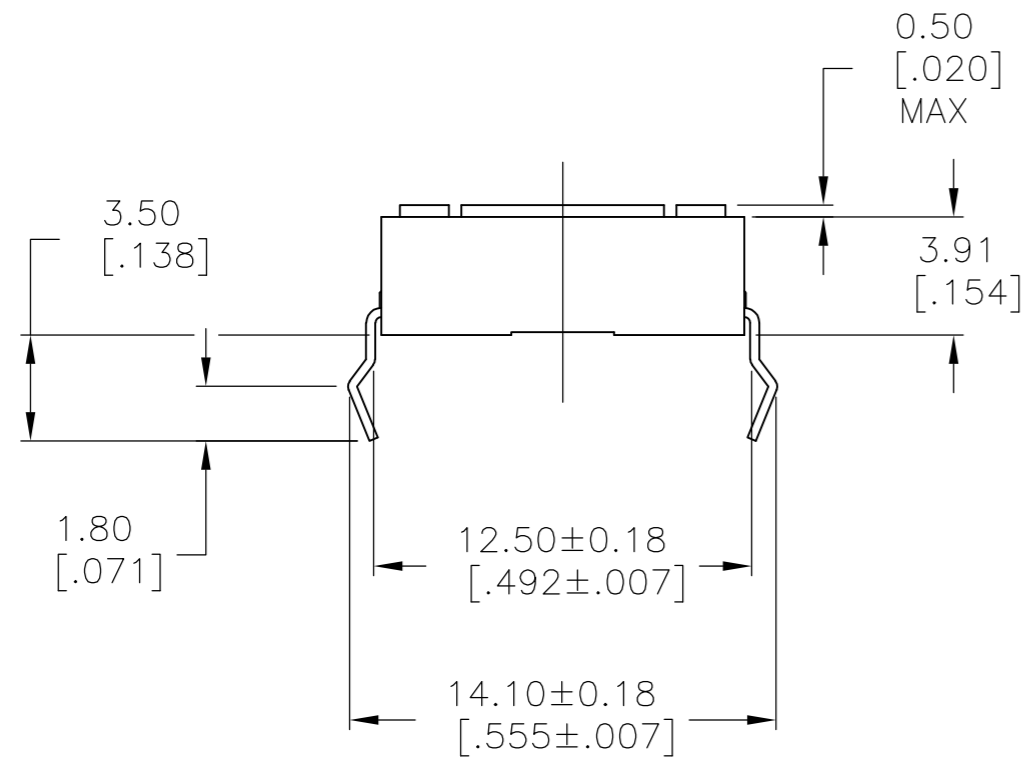
ACTUATOR OPERATING FORCE: SEE TABLE  
 ACTUATOR TRAVEL: 0.30[0.012] APPROX.

ENVIRONMENTAL

OPERATING TEMPERATURE: -35°C to +85°C  
 STORAGE TEMPERATURE: -35°C to +85°C  
 RESISTANCE TO SOLDER HEAT PER 109-202, COND B-265\* FOR 10 SECONDS

SOLDERABILITY:

SPECIFICATION EIA-364-52, CLASS 1, CATEGORY 2



PC BOARD LAYOUT

BLACK	160±30GF	FSM100	1437565-2
RED	260±50GF	FSM100A	1571139-1
ACTUATOR COLOR	OPERATING FORCE	T&B PART NUMBER	PART NUMBER

DIMENSIONS:		TOLERANCES UNLESS OTHERWISE SPECIFIED:		DWN		R BROWN		03APR02	
mm	[INCHES]	0 PLC	± -	CHK	H WYNKOOP	03APR02	TE Connectivity		
		1 PLC	± -	APVD	H WYNKOOP	03APR02	NAME		
		2 PLC	± 0.30[0.012]	PRODUCT SPEC		SWITCH, FSM100 PUSHBUTTON			
		3 PLC	± -	APPLICATION SPEC		SIZE			
		4 PLC	± -	FINISH		WEIGHT		CAGE CODE	
MATERIAL		FINISH		WEIGHT		DRAWING NO		RESTRICTED TO	
-		-		-		A2 00779		-	
CUSTOMER DRAWING				SCALE		SHEET		REV	
				4:1		1 of 1		D6	