

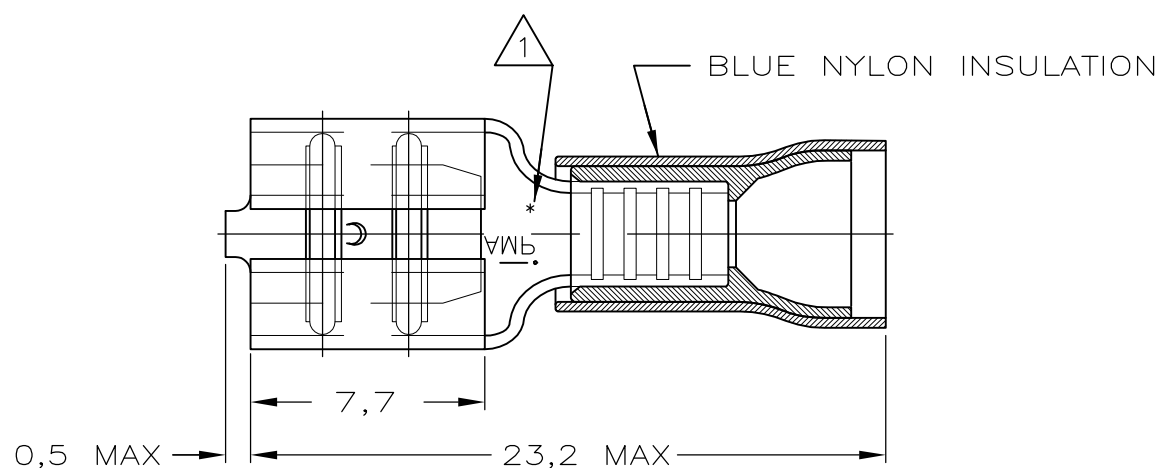
THIS DRAWING IS UNPUBLISHED.

RELEASED FOR PUBLICATION

© COPYRIGHT - By -

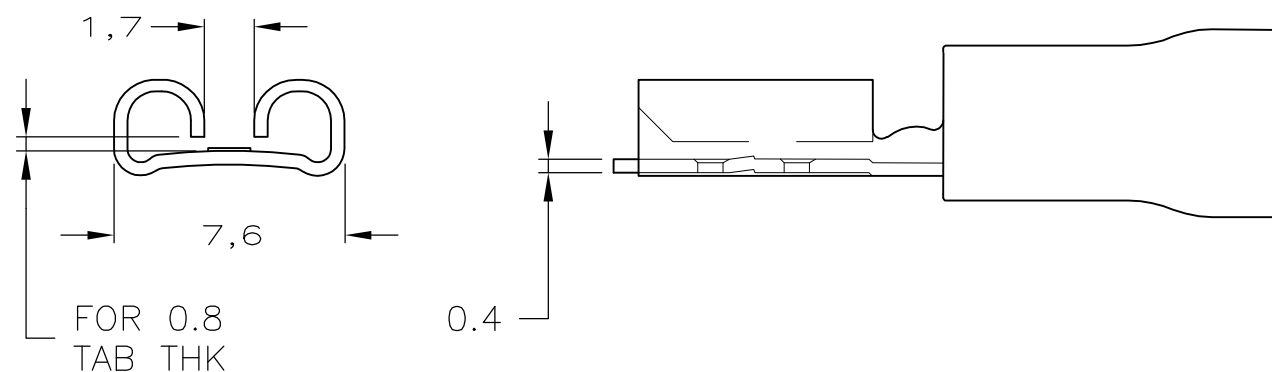
ALL RIGHTS RESERVED.

LOC	DIST	REVISIONS					
G	86	P	LTR	DESCRIPTION	DATE	DWN	APVD
			H3	REVISED PER ECO-11-004820	11MAR11	RK	HMR



NOTES

- 1 ASTERISK * FOR PH.BRONZE VERSIONS ONLY.
- 2 WIRE RANGE: 1,0-2,6mm². INSUL. RANGE: 4,3mm MAX. DIA..
- 3 OBSOLETE WITHOUT REPLACEMENT



TAPE MOUNTED	1	GOLDPLATED	PH.BRONZE	5-160313-7 3
	1	SILVERPLATED	PH.BRONZE	5-160313-6 3
	1	TINPLATED	PH.BRONZE	5-160313-5
		GOLDPLATED	BRASS	5-160313-4 3
		SILVERPLATED	BRASS	5-160313-3 3
		TINPLATED	BRASS	5-160313-2
LOOSE PIECE	1	TIN-LEAD	PH.BRONZE	9-160313-8 3
	1	GOLDPLATED	PH.BRONZE	9-160313-7 3
	1	SILVERPLATED	PH.BRONZE	9-160313-6
	1	TINPLATED	PH.BRONZE	9-160313-5
		GOLDPLATED	BRASS	9-160313-4 3
		SILVERPLATED	BRASS	9-160313-3 3
	TINPLATED	BRASS	9-160313-2	
PACKAGE TYPE		FINISH	MATERIAL	PARTNUMBER

THIS DRAWING IS A CONTROLLED DOCUMENT.		DWN	JR RUTH	08OCT04	STE TE Connectivity											
DIMENSIONS: mm		CHK	T MICHIELUTTI	08OCT04												
TOLERANCES UNLESS OTHERWISE SPECIFIED:		APVD	T MICHIELUTTI	08OCT04												
<table border="0"> <tr><td>0 PLC</td><td>± -</td></tr> <tr><td>1 PLC</td><td>± -</td></tr> <tr><td>2 PLC</td><td>± 0.38</td></tr> <tr><td>3 PLC</td><td>± -</td></tr> <tr><td>4 PLC</td><td>± -</td></tr> <tr><td>ANGLES</td><td>± -</td></tr> </table>		0 PLC	± -	1 PLC		± -	2 PLC	± 0.38	3 PLC	± -	4 PLC	± -	ANGLES	± -	NAME	
0 PLC	± -															
1 PLC	± -															
2 PLC	± 0.38															
3 PLC	± -															
4 PLC	± -															
ANGLES	± -															
MATERIAL		PRODUCT SPEC		APPLICATION SPEC	SIZE	CAGE CODE	DRAWING NO	RESTRICTED TO								
-		-		-	A3	00779	C-160313	-								
FINISH		WEIGHT		CUSTOMER DRAWING		SCALE	SHEET	REV								
-		-		-		-	1 OF 1	H3								

Mouser Electronics

Authorized Distributor

Click to View Pricing, Inventory, Delivery & Lifecycle Information:

[TE Connectivity:](#)

[9-160313-2](#)