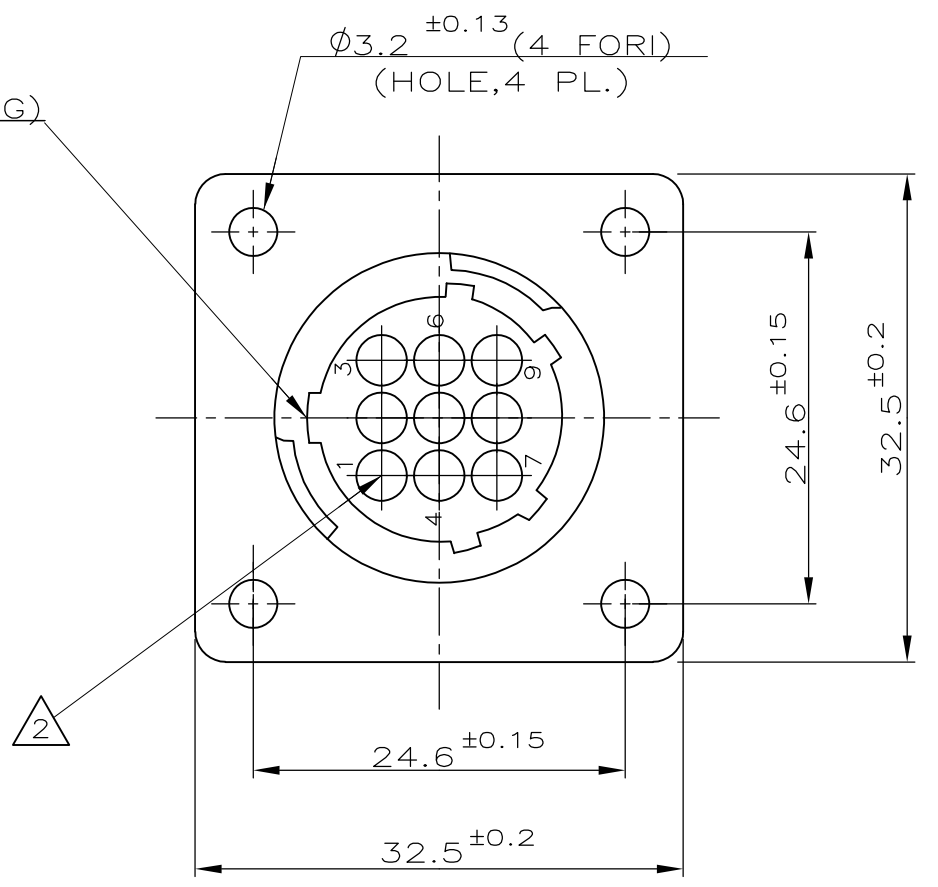


POLARIZZAZIONE (KEYING)



IL DISEGNO INDICA IL P.N. 182922-1
 (P.N. 182922-1 AS SHOWN)

NOTE (NOTES)

- MATERIALE (MATL.): TERMOPLASTICO COLORE NERO (THERMOPLASTIC, BLACK COLOR).
- OGNI CAVITA' E' IDENTIFICATA DAL NUMERO POSTO SIA SUL FRONTE CHE SUL RETRO DEL CONNETTORE. (CONTACT CAVITIES IDENTIFIED BY CHARACTERS)
- QUESTO CONNETTORE E' APPROVATO CON FILE N.E28476 E CERTIFICATO CON FILE N.LR7189A-259 (THIS CONNECTOR IS RECOGNIZED BY FILE N.E28476 AND CERTIFIED BY FILE N.LR7189A-259)

DISTRIBUZIONE (PRINT. DIST.)

		CUSTOMER DRAWING FOR REFERENCE ONLY		DISEGNO PER CLIENTE SOLO PER RIFERIMENTO	
		THIS DRAWING IS UNPUBLISHED		RELEASE FOR PUBLICATION 1991	
		© COPYRIGHT BY ,		ALL INTERNATIONAL RIGHT RESERVED.	
		TOLLERANZE: SE NON DIVERSAMENTE SPECIFICATO (TOLERANCES: UNLESS OTHERWISE SPECIFIED)		DIAM. ISOLANTE (INS. DIA. RANGE)	
		± 0.3		RANGO FILO (WIRE RANGE)	
		ANGOLI (ANGLES) ± 2°		SCALA (SCALE)	
		DIS. (DR.) 22 JUNE 91 C.CORDOLA		DESCRIZIONE (DESCRIPTION) C.P.C. SQUARE FLANGE RECEPTACLE FOR PIN CTC.S SIZE 13-9, STD. SEX	
		CONT. (CHK) -		LOC. SIZE NUMERO (DWG NO)	
		APP. (APP.) -		1 A3 C - 182922	
C3 REVISED PER ECO-11-005140		RK 07APR 2011		REV. FOGLIO (SHEET) 1 OF 1	
REV. (REV.LTR.)		DIS. DATA (DR) (DATE)			

Mouser Electronics

Authorized Distributor

Click to View Pricing, Inventory, Delivery & Lifecycle Information:

[TE Connectivity:](#)

[182922-1](#)