

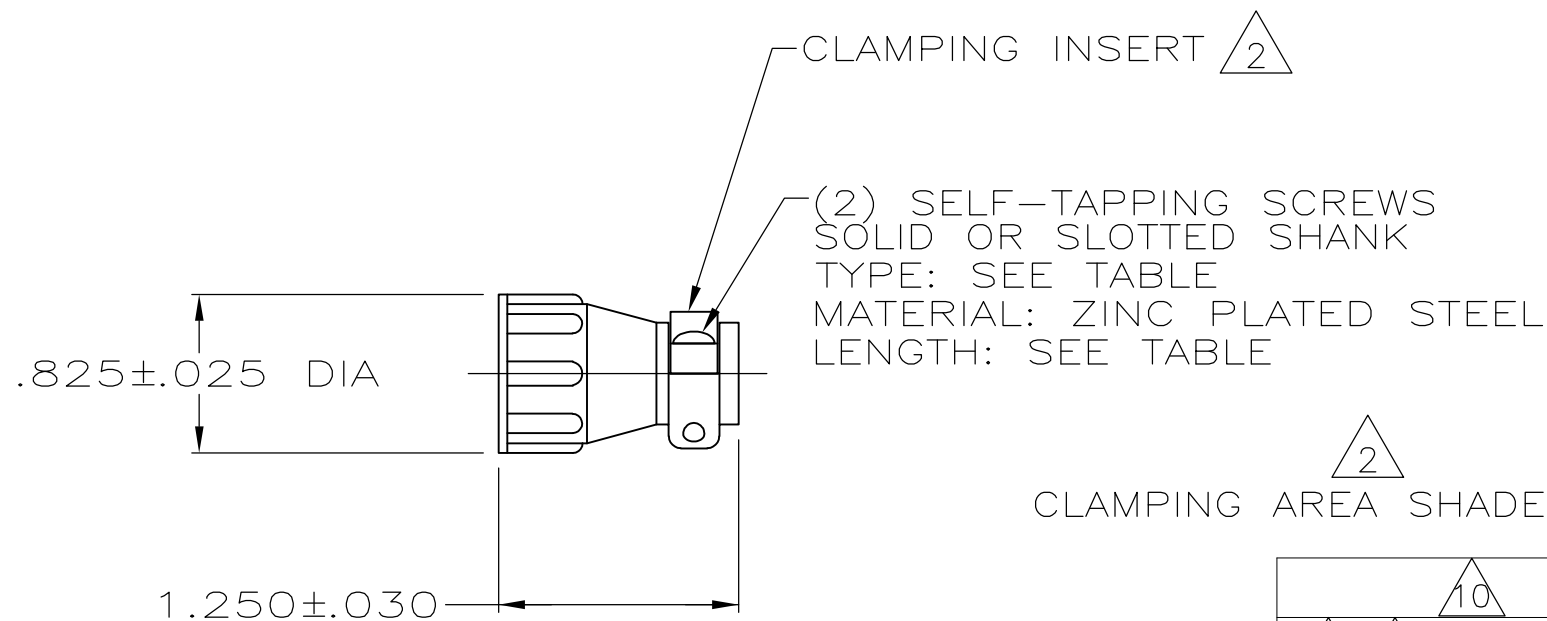
THIS DRAWING IS UNPUBLISHED.

RELEASED FOR PUBLICATION

ALL RIGHTS RESERVED.

© COPYRIGHT - By -

LOC	DIST	REVISIONS					
		P	LTR	DESCRIPTION	DATE	DWN	APVD
-	-		V1	REVISED PER ECO-15-002073	06MAY2015	NK	MZ



- 1 PARTS PACKAGED UNASSEMBLED.
- 2 CABLE CLAMPING AREA ADJUSTABLE FROM .004 TO .055 SQ IN BY REVERSING CLAMPING INSERTS.
- 3 .329 MAXIMUM CABLE OUTSIDE DIAMETER.
- 4 BULK PACKAGED KITS TO BE ORDERED IN MULTIPLES OF 800 ONLY.
- 5 OBSOLETE PART NUMBER.
- 6 STAINLESS STEEL (NON MAGNATIC).
- 7 CABLE CLAMP WITH NON-MAGNETIC STAINLESS STEEL SCREWS.
- 8 ZINC PLATED STEEL, NON-HEXAVALENT CHROMATE.
- 9 OBSOLETE PARTS: OBSOLETE CIS STREAMLINING PER D.RENAUD/D.SINISI

10 SPECIAL PACKAGING CONSISTING OF 1 KIT PER INDIVIDUAL BAG, 20 INDIVIDUAL BAGS PER LARGER BAG, 5 LARGER BAGS PER SHIPPER BOX.

PACKAGING	SCREW FINISH	SCREW LENGTH	SCREW TYPE	PART NUMBER
10	8	.50 <sup>+</sup> <sub>-.05</sub>	#5-20	2-206062-0
7 4 BULK	6	.50 <sup>+</sup> <sub>-.05</sub>	#5-20	1-206062-9
4 BULK	8	.50 <sup>+</sup> <sub>-.05</sub>	#5-20	1-206062-7
INDIVIDUAL	8	.38 <sup>+</sup> <sub>-.05</sub>	#5-20	1-206062-6
4 BULK	8	.38 <sup>+</sup> <sub>-.05</sub>	#5-20	1-206062-5
INDIVIDUAL	8	.50 <sup>+</sup> <sub>-.05</sub>	#5-20	1-206062-4
INDIVIDUAL	8	.62 <sup>+</sup> <sub>-.05</sub>	#5-20	1-206062-3
INDIVIDUAL	6	.50 <sup>+</sup> <sub>-.05</sub>	#5-20	1-206062-2
7 SUPERSEDED BY 1-206062-3	8	.62 <sup>+</sup> <sub>-.05</sub>	#5-20	1-206062-1
9 OBSOLETE	8	.38 <sup>+</sup> <sub>-.05</sub>	#5-20	1-206062-0
AMP BRAZIL USE ONLY		12mm <sup>+</sup> <sub>-.8</sub>	3mm-20	5 206062-9
AMP BRAZIL USE ONLY		10mm <sup>+</sup> <sub>-.8</sub>	3mm-20	5 206062-8
4 SUPERSEDED BY 1-206062-7	8	.50 <sup>+</sup> <sub>-.05</sub>	#5-20	206062-4
INDIVIDUAL	8	.50 <sup>+</sup> <sub>-.05</sub>	#5-20	206062-3
4 SUPERSEDED BY 1-206062-5	8	.38 <sup>+</sup> <sub>-.05</sub>	#5-20	206062-2
INDIVIDUAL	8	.38 <sup>+</sup> <sub>-.05</sub>	#5-20	206062-1

THIS DRAWING IS A CONTROLLED DOCUMENT.		DWN A GRAFF 4/29/91	<b>TE Connectivity</b>	
		CHK W.G.LENKER 7-22-92		
DIMENSIONS: INCHES 		TOLERANCES UNLESS OTHERWISE SPECIFIED: 0 PLC ± - 1 PLC ± - 2 PLC ± - 3 PLC ± - 4 PLC ± - ANGLES ± -		NAME CABLE CLAMP KIT, STANDARD, SHELL SIZE 11, CPC
MATERIAL THERMOPLASTIC		FINISH -		
		APVD -	PRODUCT SPEC -	APPLICATION SPEC -
		WEIGHT -	SIZE A3	CAGE CODE 00779
		CUSTOMER DRAWING		DRAWING NO C-206062
		SCALE NTS		SHEET 1 OF 1
		REV V1		RESTRICTED TO -

# Mouser Electronics

Authorized Distributor

Click to View Pricing, Inventory, Delivery & Lifecycle Information:

[TE Connectivity:](#)

[1-206062-4](#)