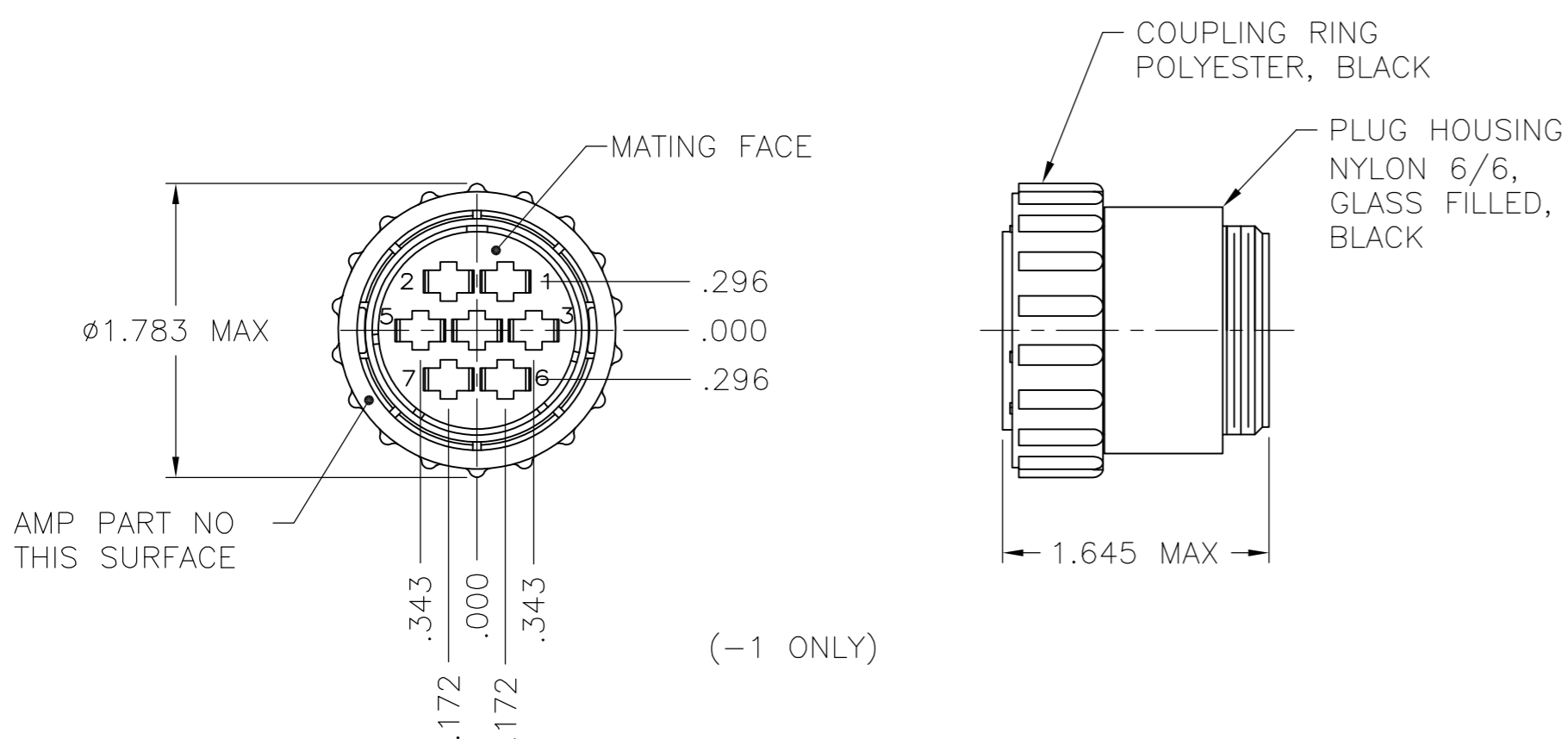
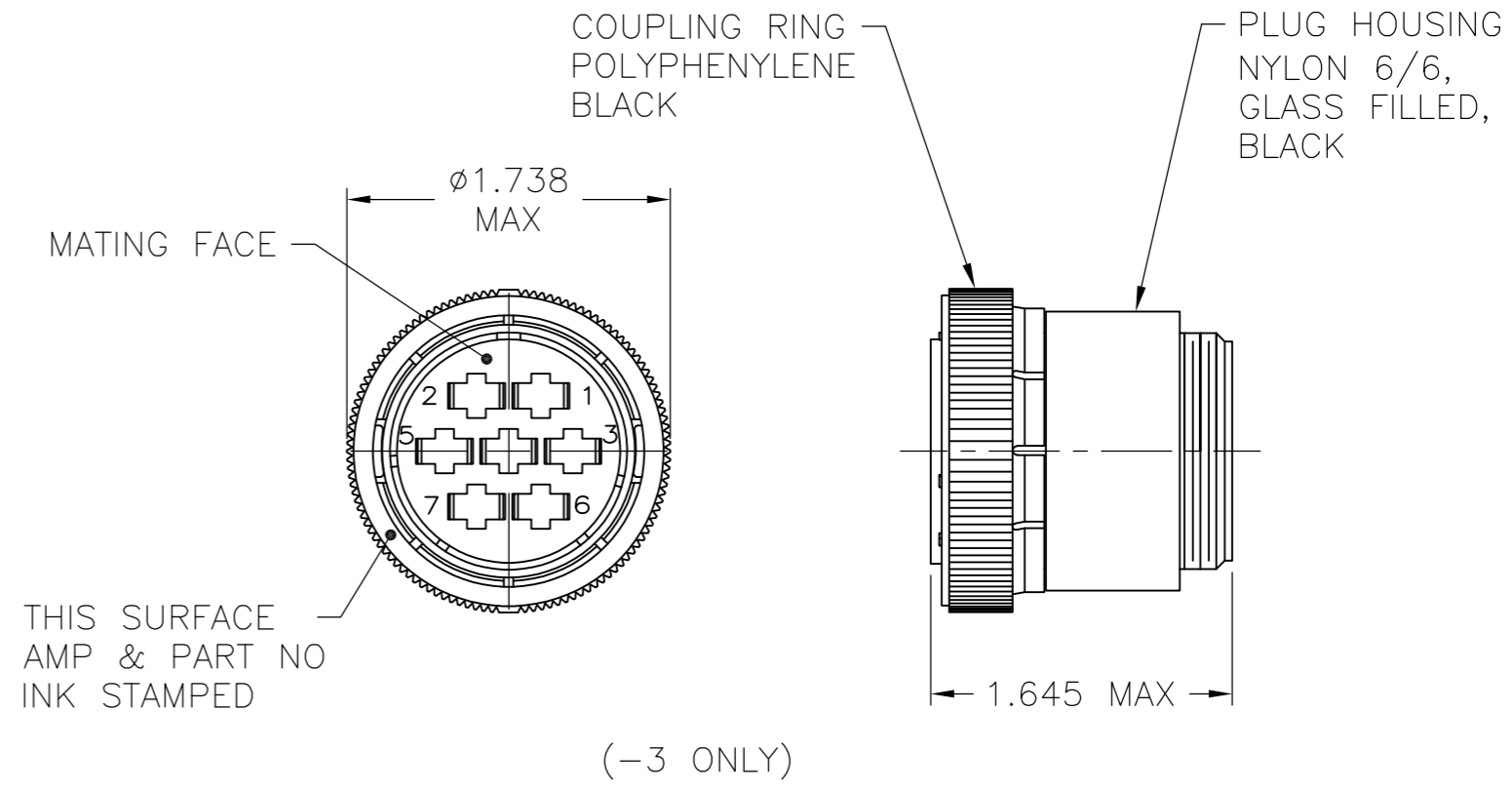


THIS DRAWING IS UNPUBLISHED. RELEASED FOR PUBLICATION
 © COPYRIGHT - By - ALL RIGHTS RESERVED.

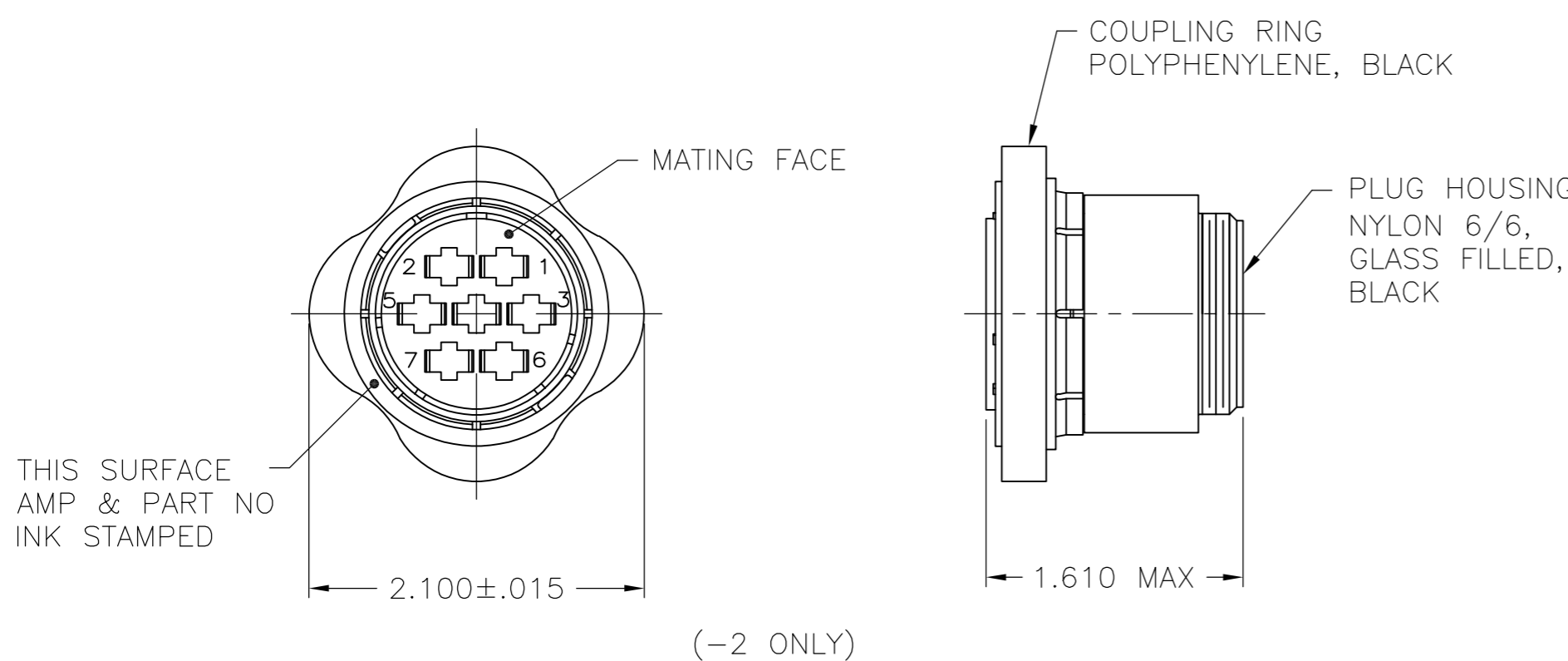
LOC		DIST		REVISIONS			
P	LTR	DESCRIPTION		DATE	DWN	APVD	
FT	0	J2	REVISED PER ECO-15-016153	10FEB2016	NK	MZ	



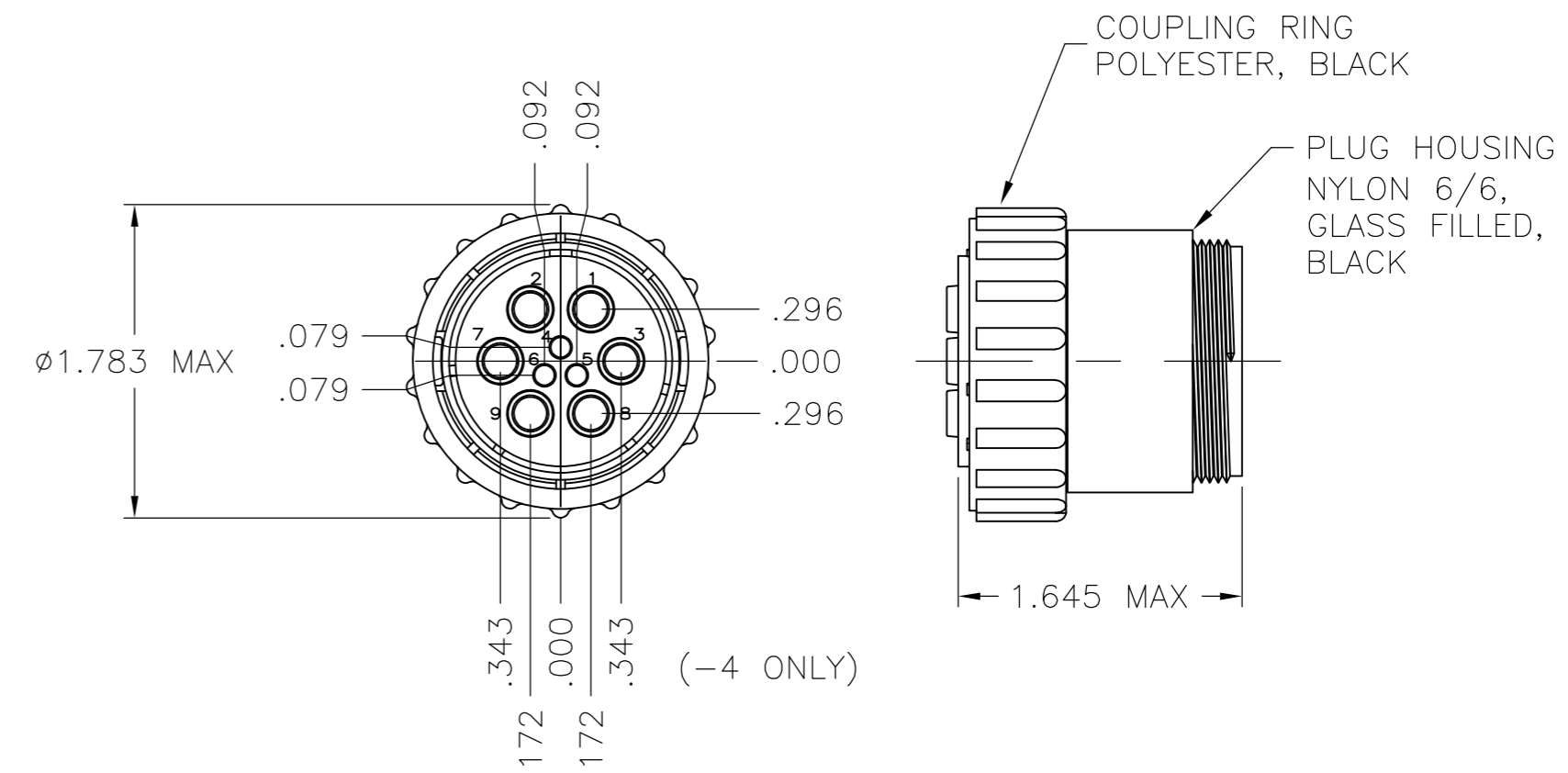
(-1 ONLY)



(-3 ONLY)



(-2 ONLY)



(-4 ONLY)

- 1 CONTACT CAVITIES IDENTIFIED BY CHARACTERS ON FRONT AND REAR FACE OF CONNECTOR.
- △ -1, -2 AND -3 CONNECTORS WILL ACCEPT SEVEN (7) TYPE XII SOCKET CONTACTS.
- △ -4 CONNECTOR WILL ACCEPT SIX (6) POWER BAND SOCKET CONTACTS AND THREE (3) TYPE III+ SIGNAL SOCKET CONTACTS.

△3	OBSOLETE	206136-4
△2		206136-3
△2	OBSOLETE	206136-2
△2		206136-1
		PART NUMBER

THIS DRAWING IS A CONTROLLED DOCUMENT.		DWN	S.RIDGLEY BG	7/30/90	TE TE Connectivity
DIMENSIONS: INCHES		CHK	R.STONE	04/26/91	
TOLERANCES UNLESS OTHERWISE SPECIFIED:		APVD	-	-	NAME
0 PLC ± -		PRODUCT SPEC	108-10024		PLUG ASSEMBLY, SHELL SIZE 23, STANDARD SEX, CPC
1 PLC ± -		APPLICATION SPEC	-		
2 PLC ± .02		SIZE	A2	CAGE CODE	00779
3 PLC ± .010		DRAWING NO	C=206136		RESTRICTED TO
4 PLC ± -		WEIGHT	-		-
ANGLES ± -		CUSTOMER DRAWING	SCALE	NTS	SHEET 1 of 1
FINISH		-		REV	J2

Mouser Electronics

Authorized Distributor

Click to View Pricing, Inventory, Delivery & Lifecycle Information:

[TE Connectivity:](#)

[206136-1](#)