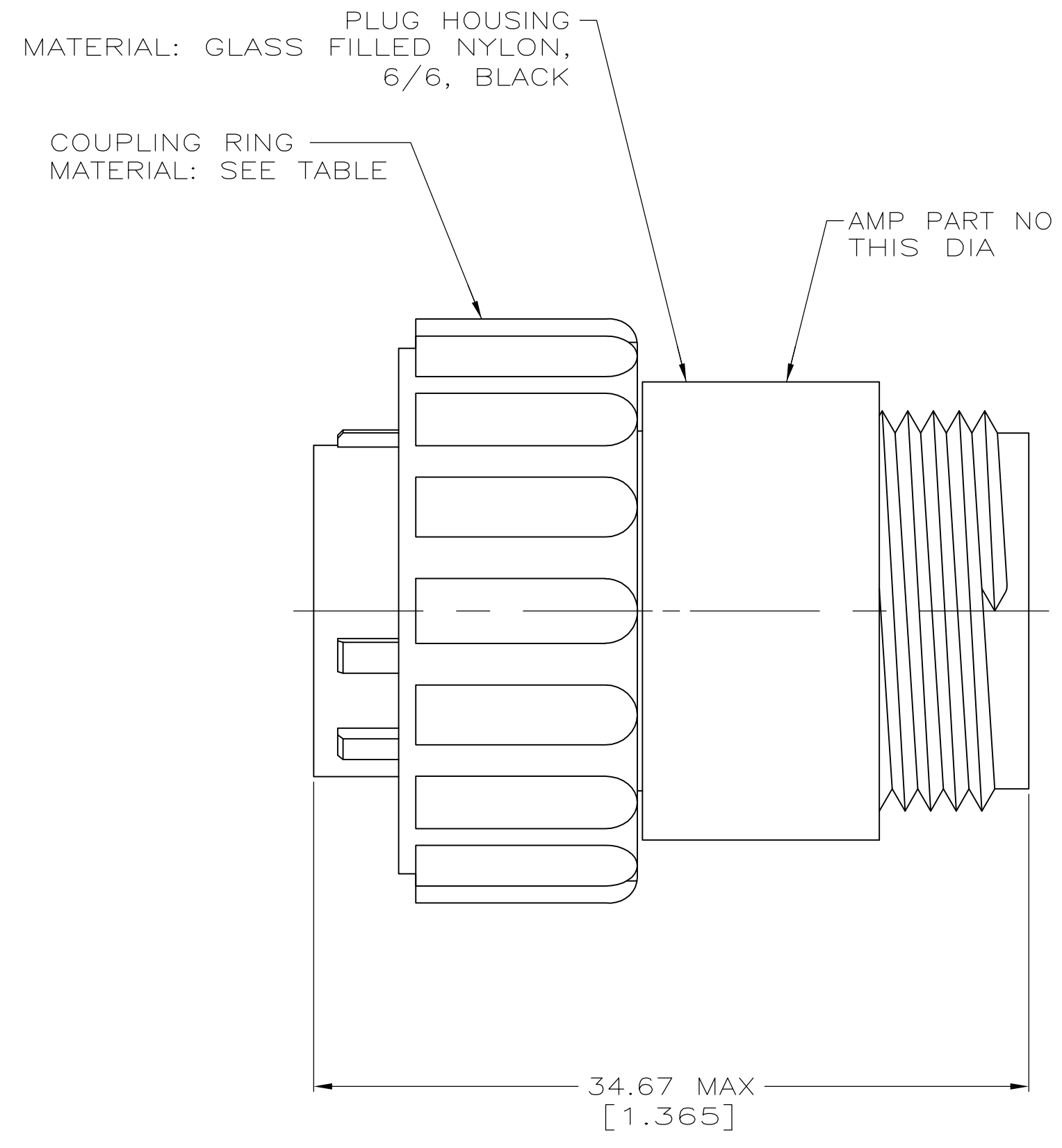
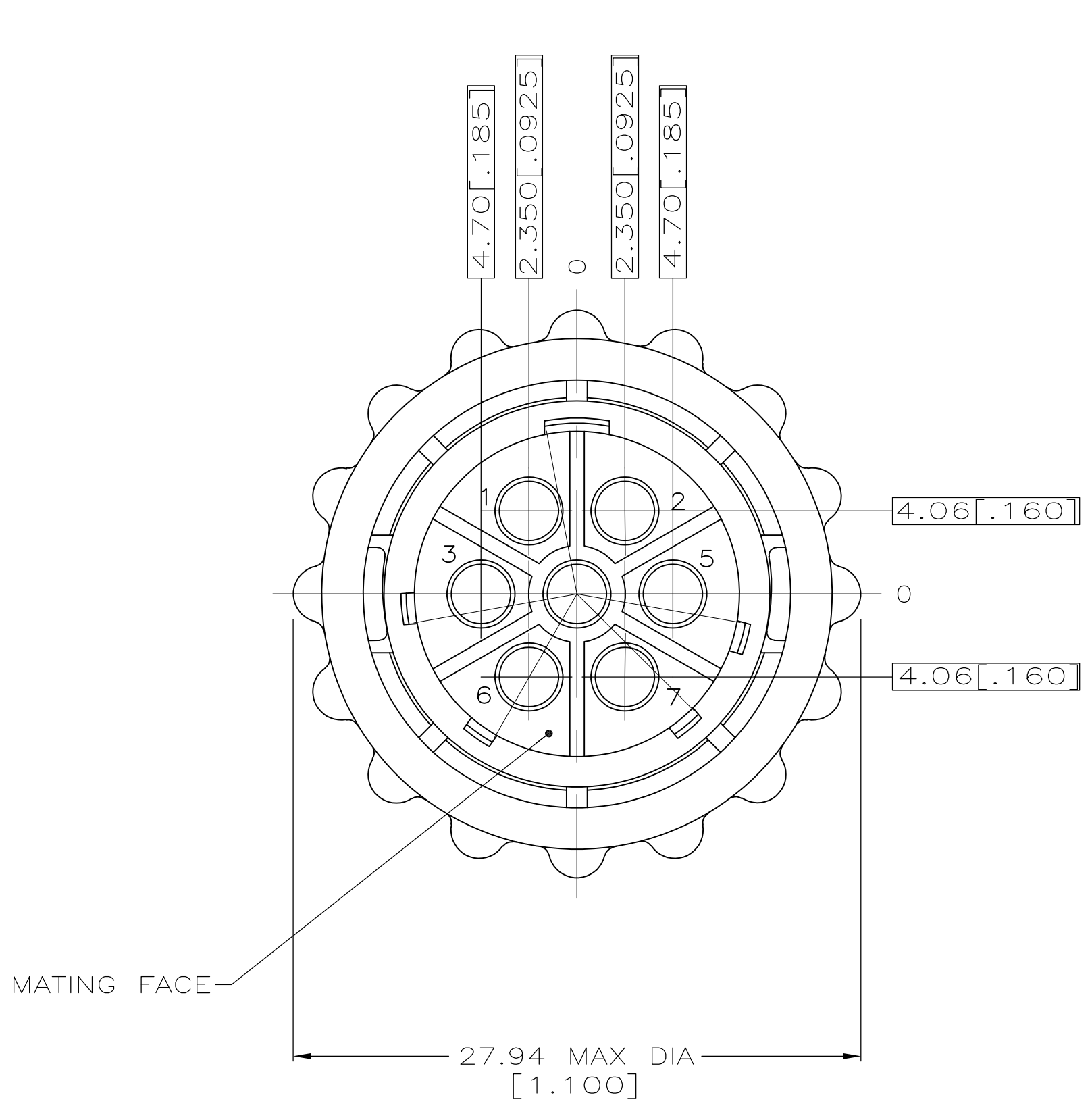


THIS DRAWING IS UNPUBLISHED. RELEASED FOR PUBLICATION
 © COPYRIGHT - By - ALL RIGHTS RESERVED.

| LOC | | DIST | | REVISIONS | | | |
|-----|-----|---------------------------|-----------|-----------|------|--|--|
| P | LTR | DESCRIPTION | DATE | DWN | APVD | | |
| FT | 0 | | | | | | |
| | D4 | REVISED PER ECO-13-006250 | 12APR2013 | KH | ZM | | |



- 1 CONTACT CAVITIES IDENTIFIED BY CHARACTERS ON FRONT AND REAR FACES OF CONNECTOR.
- 2 WILL ACCEPT SEVEN (7) MULTIMATE PIN CONTACTS.
- 3 OBSOLETE PARTS: OBSOLETE CIS STREAMLINING PER D.RENAUD/D.SINISI
- 4 COMPARATIVE TRACKING INDEX OF PLUG HOUSING MATERIAL PER UL746A = 400 MIN.

| | | | |
|---|----------|------------------------|-------------|
| 3 | OBSOLETE | DIE CAST ZINC | -211400-2 |
| | | POLYESTER, BLACK | 211400-1 |
| | | COUPLING RING MATERIAL | PART NUMBER |

| | | | | |
|--|--|----------------------|---|---------------|
| THIS DRAWING IS A CONTROLLED DOCUMENT. | | DWN D.HARDY 07-01-94 | TE TE Connectivity | |
| DIMENSIONS: INCHES | | CHK R.STONE 08-10-94 | | |
| TOLERANCES UNLESS OTHERWISE SPECIFIED: | | APVD - | NAME | |
| 0 PLC ± - | | PRODUCT SPEC - | VDE PLUG ASSEMBLY, REVERSE SEX, 13-7, CPC | |
| 1 PLC ± - | | APPLICATION SPEC - | SIZE | CAGE CODE |
| 2 PLC ± - | | WEIGHT - | A2 | 00779 |
| 3 PLC ± - | | CUSTOMER DRAWING | DRAWING NO | RESTRICTED TO |
| 4 PLC ± - | | | C=211400 | - |
| ANGLES ± - | | SCALE 4:1 | SHEET 1 of 1 | REV D4 |
| FINISH - | | | | |

Mouser Electronics

Authorized Distributor

Click to View Pricing, Inventory, Delivery & Lifecycle Information:

[TE Connectivity:](#)

[211400-1](#)