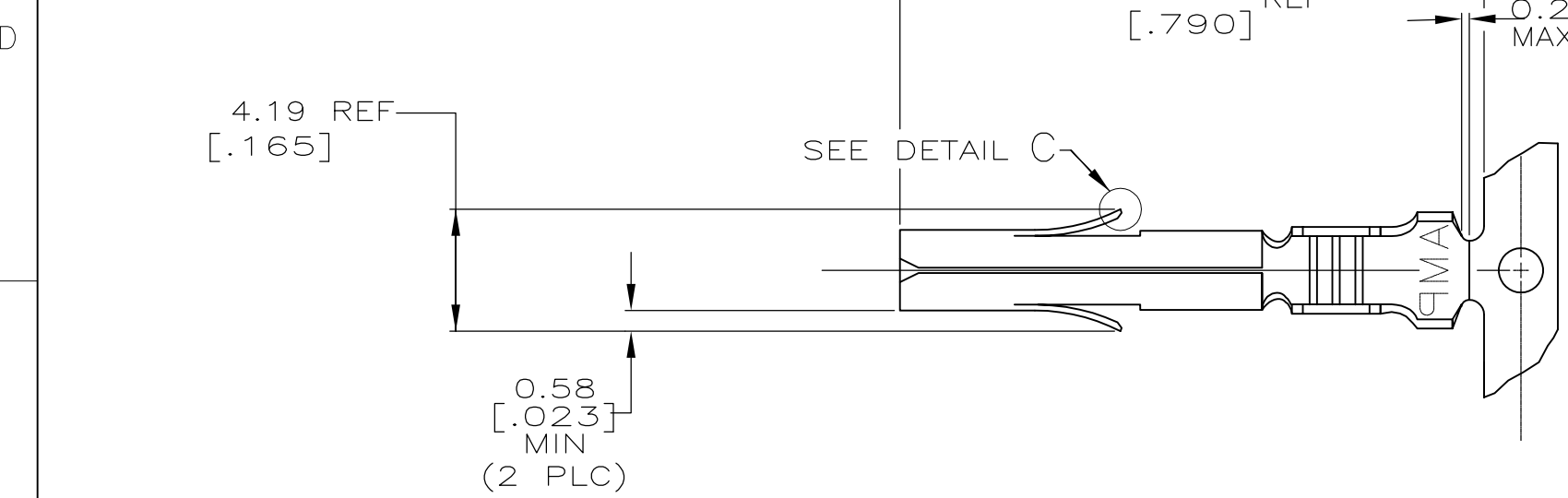
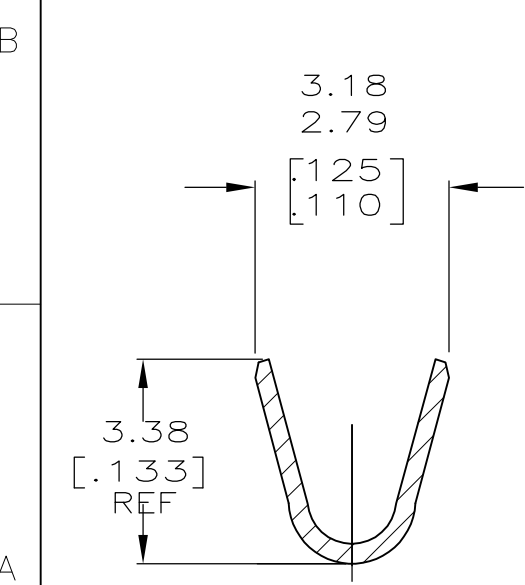
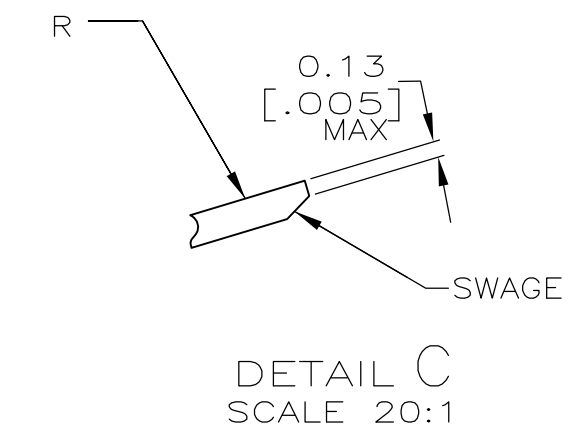
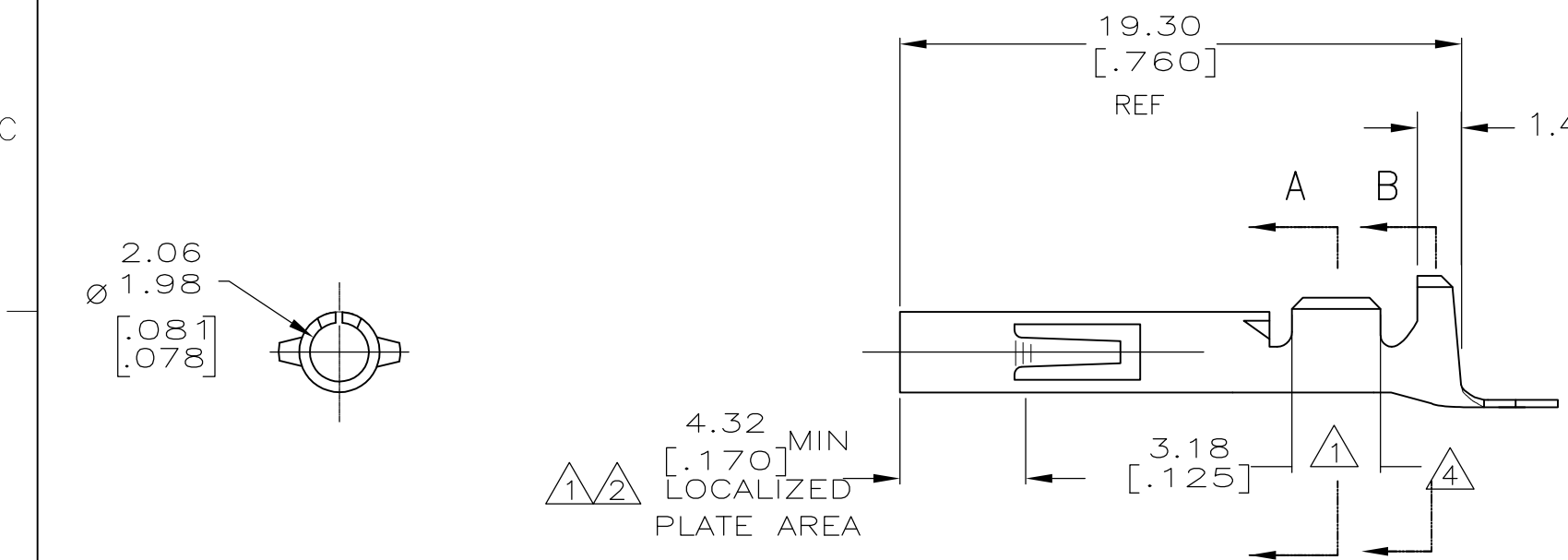


THIS DRAWING IS UNPUBLISHED. RELEASED FOR PUBLICATION
 © COPYRIGHT - By - ALL RIGHTS RESERVED.

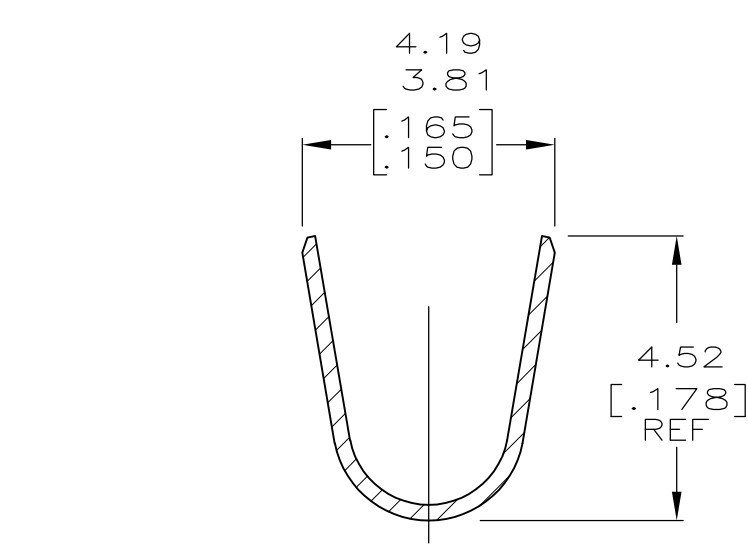
LOC	DIST	REVISIONS					
CM	00	P	LTR	DESCRIPTION	DATE	DWN	APVD
			AD2	REVISED PER ECR-15-018773	05JAN2016	BW	EW



- 1 0.00076[.000030] THK GOLD OVER NICKEL ON INSIDE OF RECEPTACLE AND WIRE BARREL; REMAINDER OF CONTACT IS NICKEL PLATED.
- 2 0.00076[.000030] THK GOLD ON INSIDE OF RECEPTACLE; REMAINDER OF CONTACT IS NICKEL PLATED.
- 3 DIMENSIONS IN BRACKETS ARE IN INCHES.
- 4 PRELIMINARY, NOT FOR PRODUCTION.
- 5 OBSOLETE PARTS: OBSOLETE CIS STREAMLINING PER D.RENAUD/D.SINISIA
- 6 WIRE RANGE: 14-20AWG, 2.08-0.52mm². INSULATION RANGE: Ø1.52-3.30 [Ø.060-.130].



SECTION A-A
SCALE 10:1



SECTION B-B
SCALE 10:1

APPLICATOR TYPE	FINISH	MATERIAL	PART NUMBER
-	TIN	0.30 [.012] BE CU	1-350536-0
-	TIN	0.30 [.012] PH BZ	-350536-9-
350550-7	GOLD	0.30 [.012] BRASS	350536-7
350550-6	GOLD	0.30 [.012] PH BZ	350536-6
350550-3	TIN	0.30 [.012] PH BZ	350536-3
350550-2	GOLD	0.30 [.012] BRASS	350536-2
350550-1	TIN	0.30 [.012] BRASS	350536-1
LOOSE PIECE (REF)			

THIS DRAWING IS A CONTROLLED DOCUMENT.

DWN K. WHITAKER 07NOV2003	TE Connectivity SOCKET, UNIVERSAL MATE-N-LOK™			
CHK S. RIDGILL 07-NOV-03				
APVD S. RIDGILL 07-NOV-03				
PRODUCT SPEC 108-1031				
APPLICATION SPEC 114-1010	NAME			
WEIGHT -	SIZE A3	CAGE CODE 00779	DRAWING NO C-350536	RESTRICTED TO -
CUSTOMER DRAWING		SCALE 4:1	SHEET 1 OF 1	REV AD2

Mouser Electronics

Authorized Distributor

Click to View Pricing, Inventory, Delivery & Lifecycle Information:

[TE Connectivity:](#)

[350536-1](#)