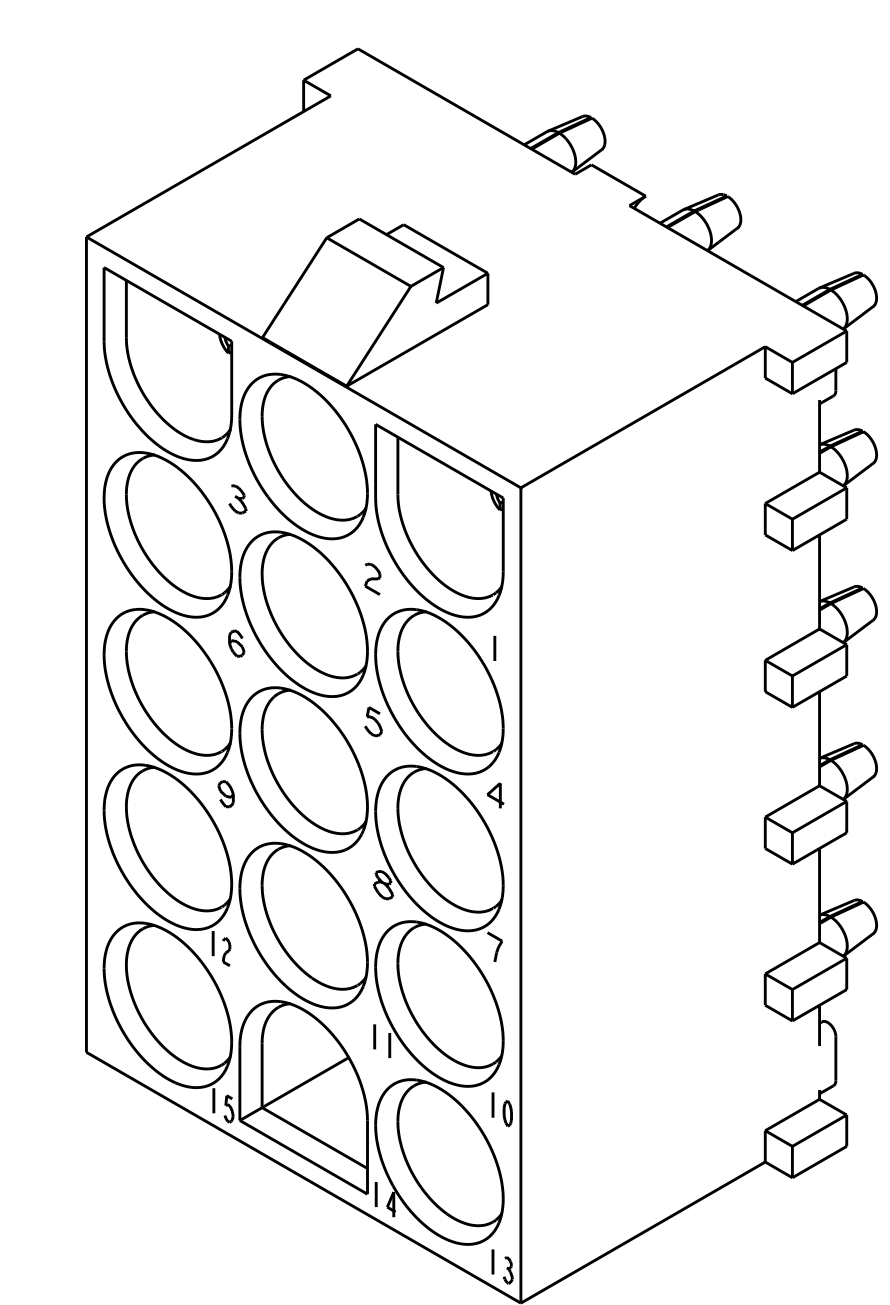
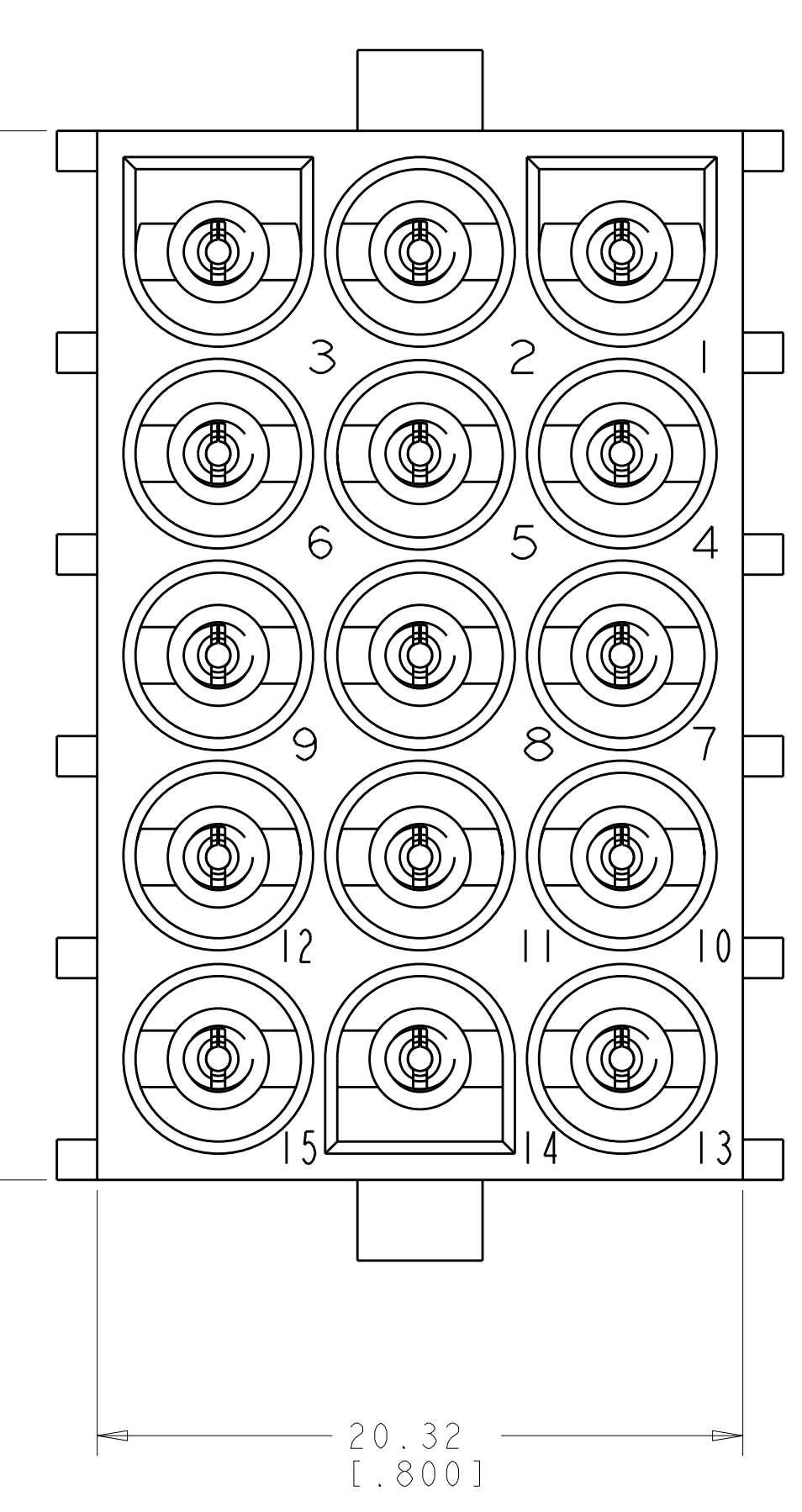
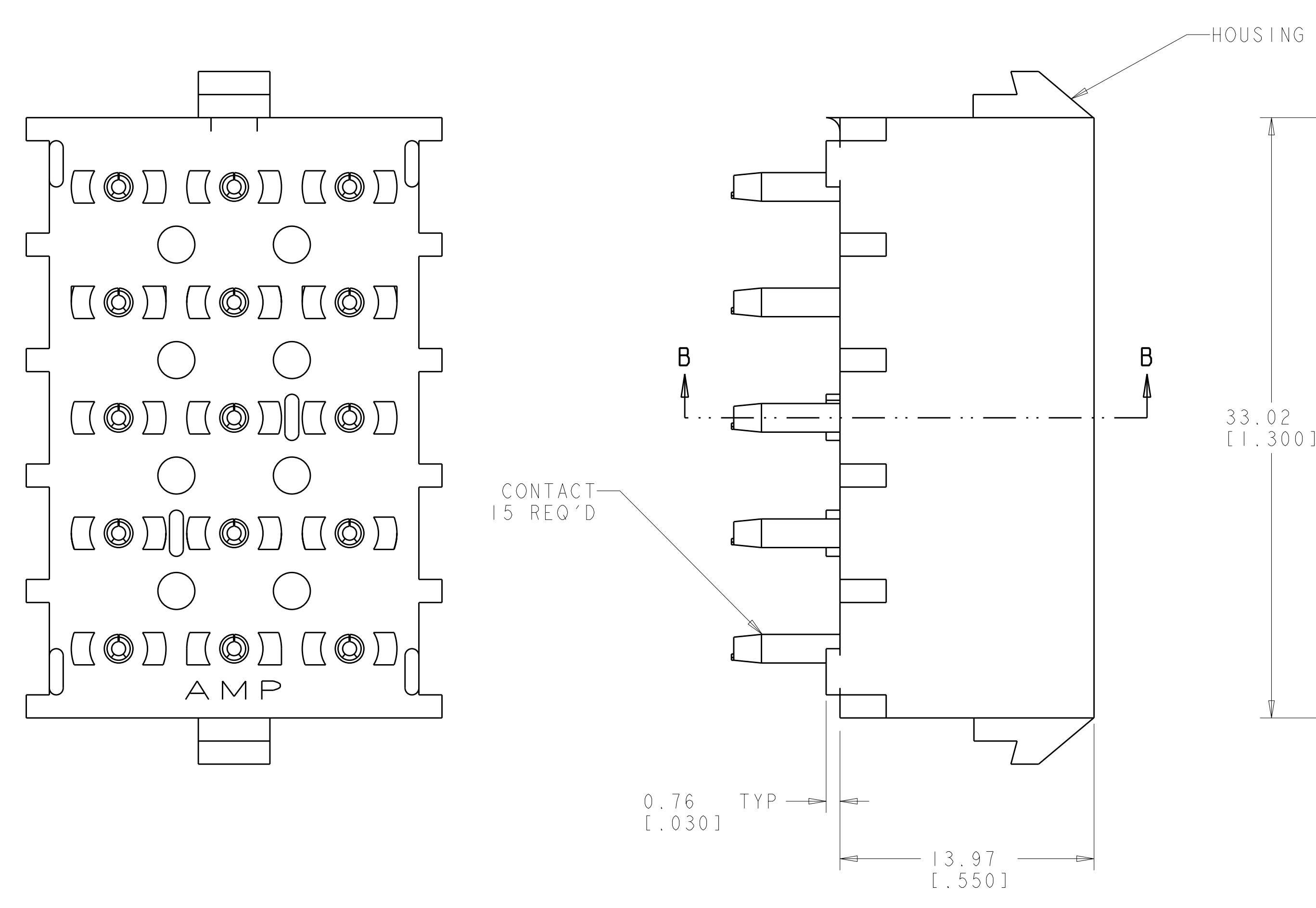
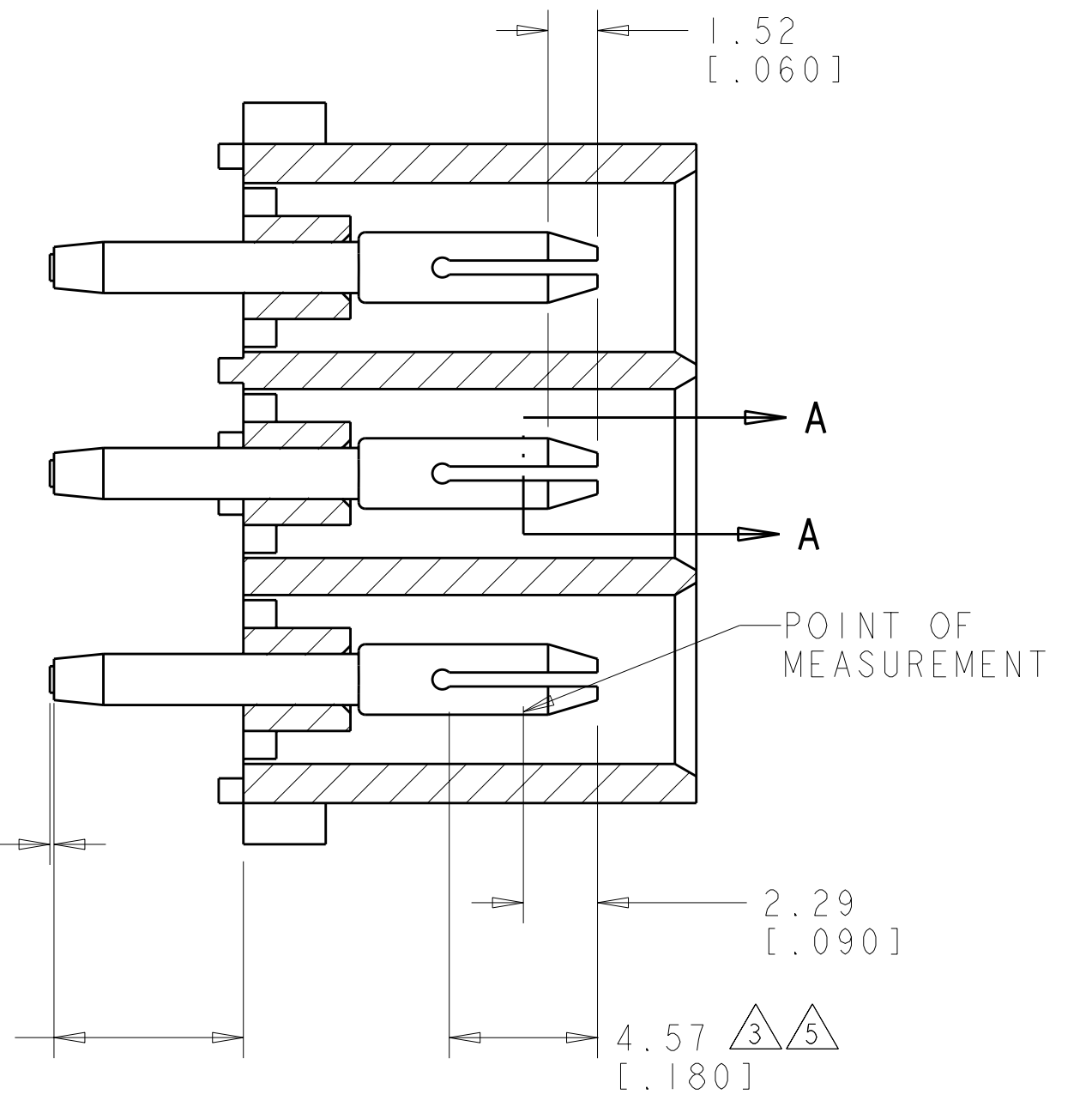
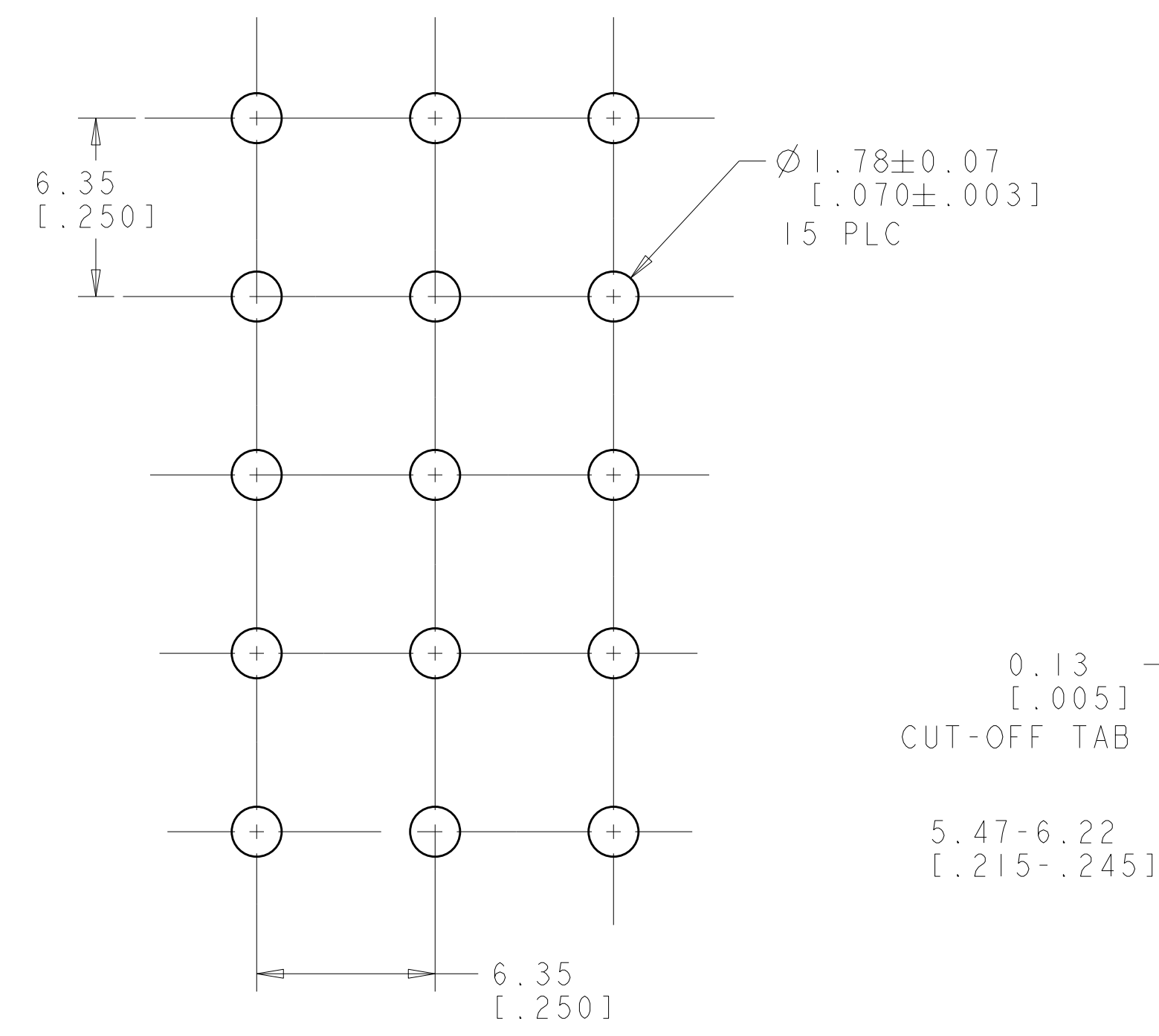


LOC	DIST	REV	DATE	BY	CHK	APP'D
CM	00	R1	18APR2008	HMR	DC	
		R2	15JAN10	WK	AEQ	

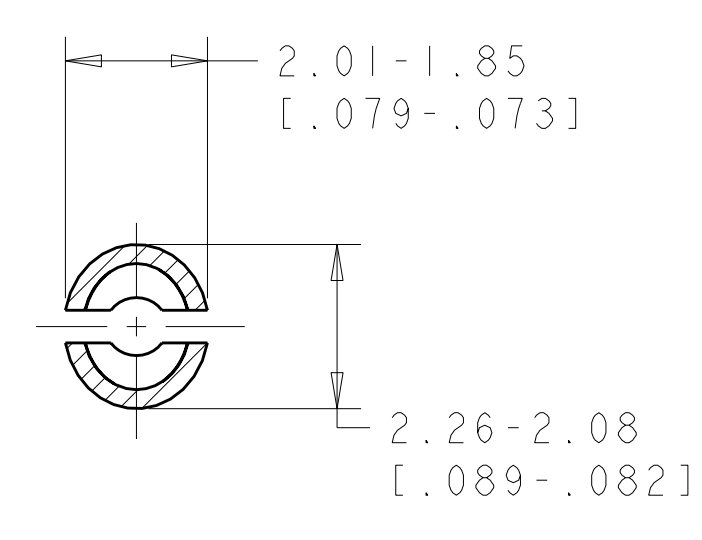
- MATES WITH HOUSING 480710.
- PARTS COMPLY TO AMP SOLDERABILITY SPECIFICATION 109-11-3.
- CONTACT IS PLATED OVERALL WITH 0.00127 [.000050] NICKEL, THEN 0.00076 [.000030] GOLD OVER CONTACT LENGTH INDICATED AND TIN LEAD ON SOLDER TAIL END.
- CIRCUIT IDENTIFICATION CHARACTERS ARE ADJACENT TO THE INDICATED CAVITIES, BUT LOCATION AND ORIENTATION MAY DIFFER FROM PRINT.
- CONTACT IS PLATED OVERALL WITH 0.00127 [.000050] NICKEL, THEN 0.00076 [.000030] GOLD OVER CONTACT LENGTH INDICATED AND MATTE TIN ON SOLDER TAIL END.
- DIMENSIONS IN BRACKETS ARE IN INCHES.
- OBsolete PARTS: OBsolete CIS STREAMLINING PER D.RENAUD/D.SINISI



3 DIMENSIONAL MODEL
SCALE 4:1



SECTION B-B



SECTION A-A
SCALE 10:1

OBsolete	PIN CONTACT MATERIAL AND FINISH	HOUSING MATERIAL AND COLOR	PART NUMBER
OBsolete	PHOSPOR BRONZE, GOLD	NYLON, UL94V-2, NATURAL	350588-4
	PHOSPOR BRONZE, GOLD	NYLON, UL94V-2, NATURAL	350588-2
	PHOSPOR BRONZE, PRE-TIN	NYLON, UL94V-2, NATURAL	350588-1

RECOMMENDED MOUNTING HOLE PATTERN FOR 1.57 [.062] THICK P.C. BOARD HOLE THAT CORRESPONDS TO REMOVED CONTACT CAN BE OMITTED



DIMENSIONS: mm [INCHES] 		TOLERANCES UNLESS OTHERWISE SPECIFIED: 9 PLC ± 1 PLC ±0.13 [.005] 5 PLC ± 4 PLC ± ANGLES ±30°		DWN R. WHITAKER 07SEP2005 CHK S. RIDGILL 07SEP2005 APVD S. RIDGILL 07SEP2005 PRODUCT SPEC APPLICATION SPEC WEIGHT CUSTOMER DRAWING		Tyco Electronics Harrisburg, PA 17105-3608 NAME PIN HEADER ASSEMBLY, 15 CIRCUIT, UNIVERSAL MATE-N-LOK(TM) SIZE CAGE CODE DRAWING NO A11 00779 C=350588 RESTRICTED TO REV R2	
MATERIAL SEE TABLE		FINISH SEE TABLE		SCALE 5:1		SHEET 1 OF 1	

Mouser Electronics

Authorized Distributor

Click to View Pricing, Inventory, Delivery & Lifecycle Information:

[TE Connectivity:](#)

[350588-1](#)