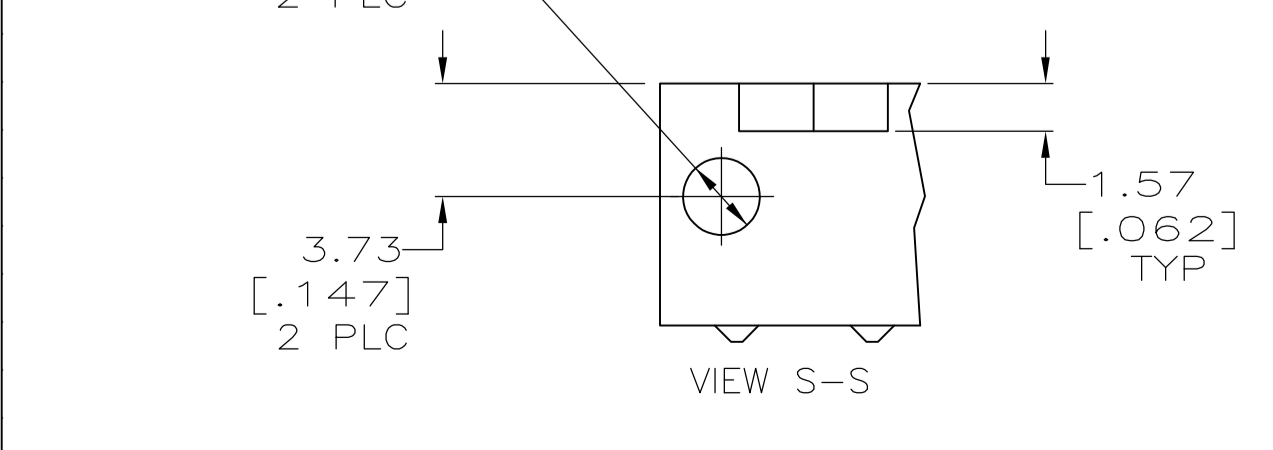
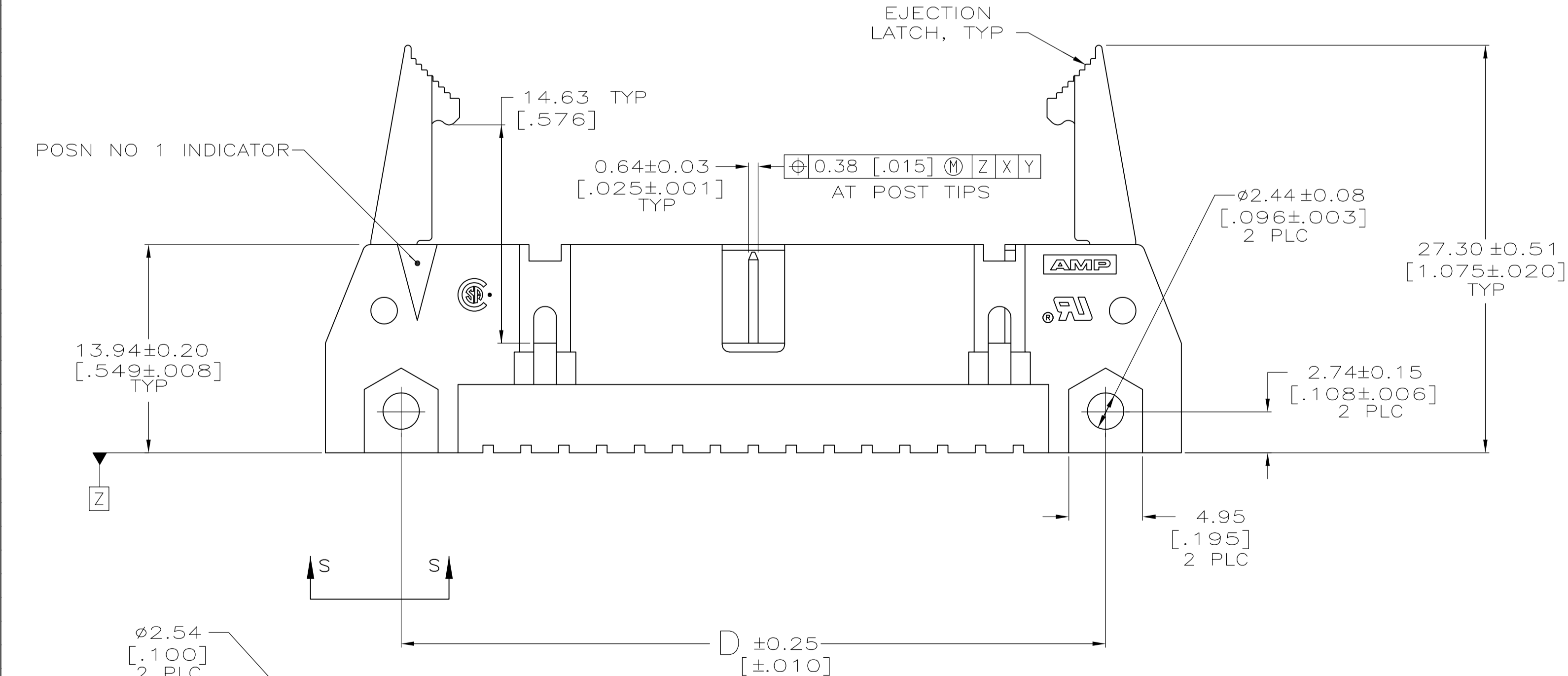
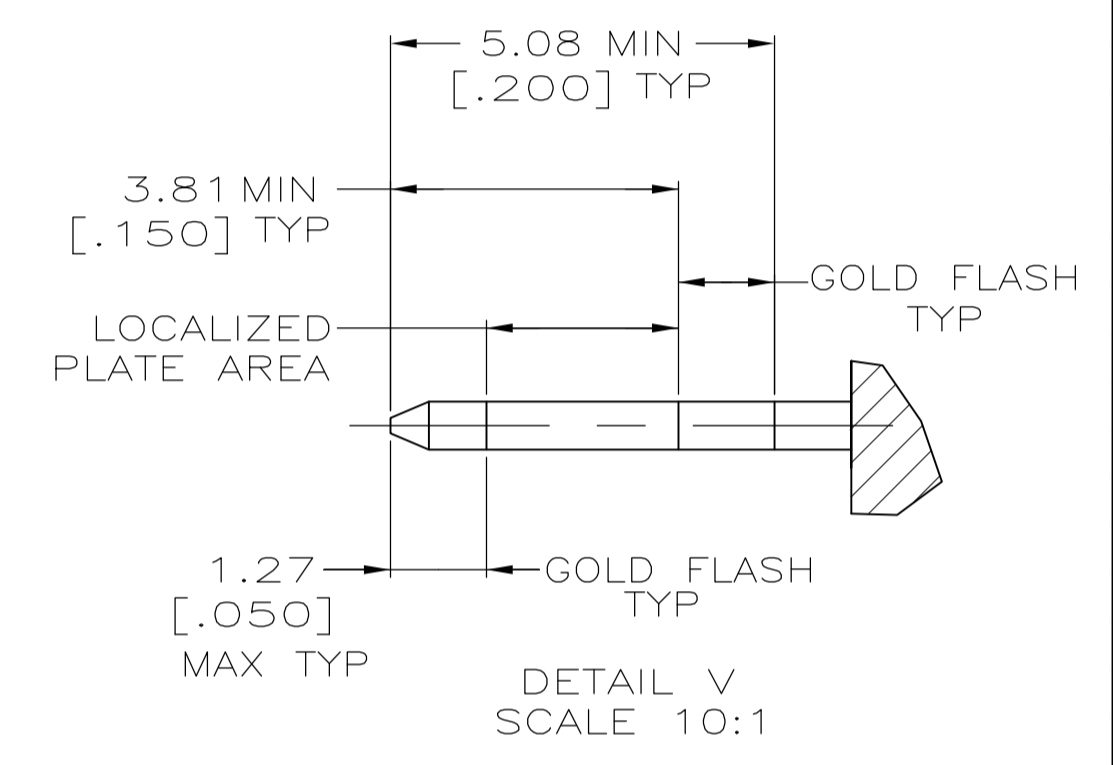
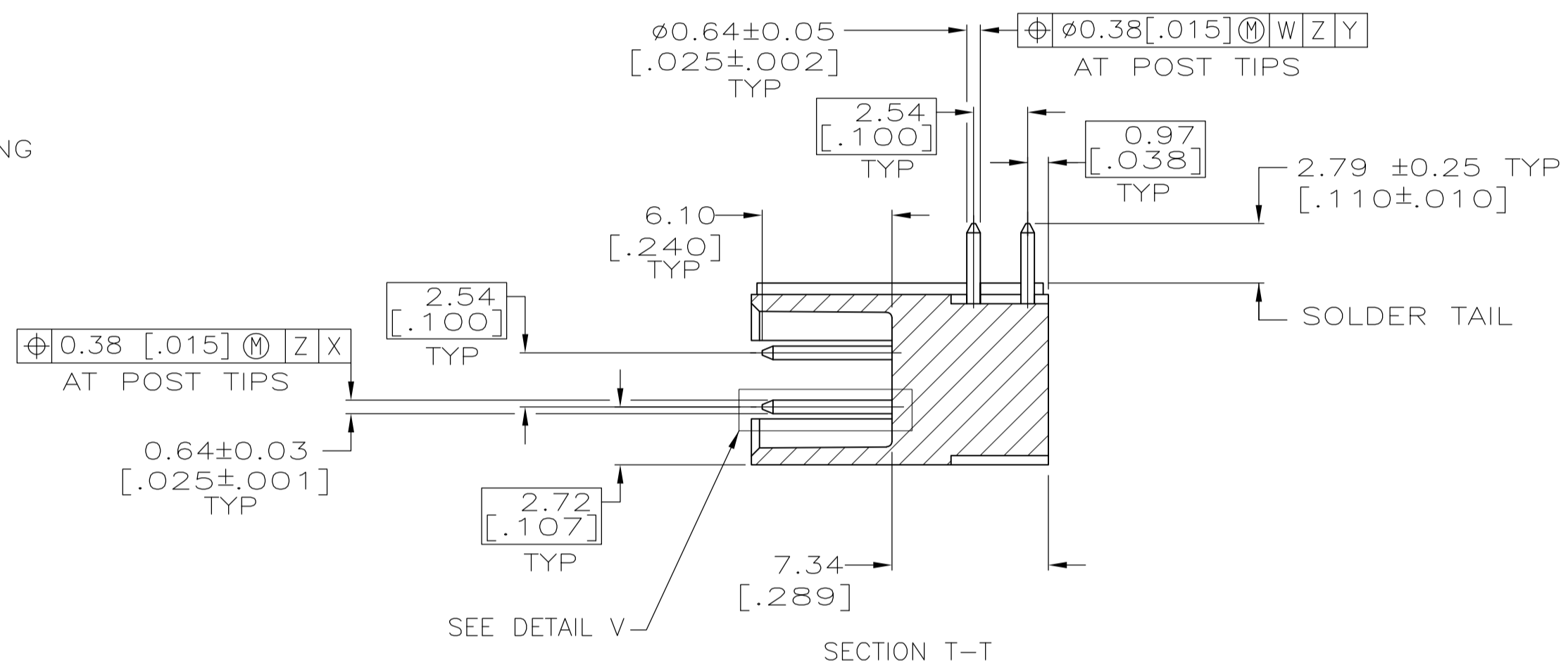
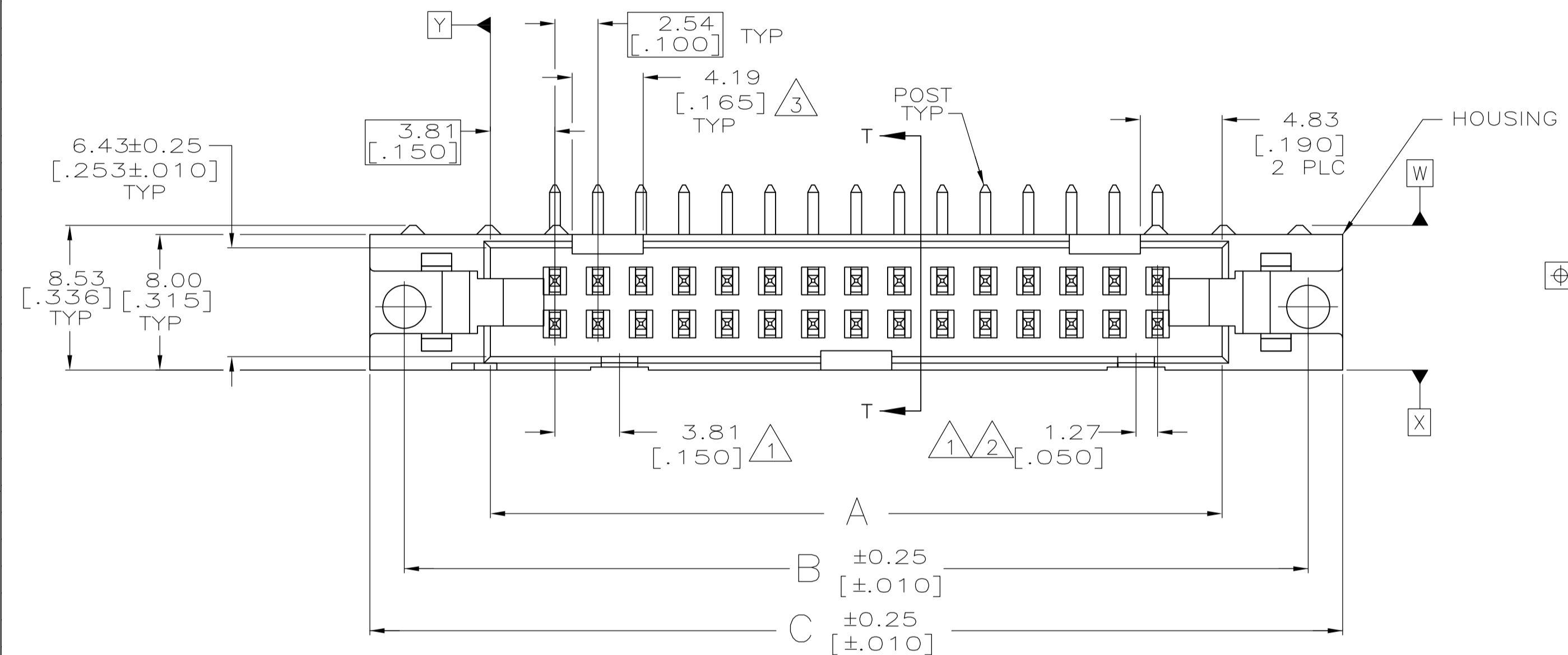


- 1. COORDINATE DIMENSION APPLIES FROM BASIC LOCATION.
- 2. 10 AND 14 POSITION SIZES CONTAIN ONLY ONE SLOT FOR SNAP-IN POLARIZER (MILITARY POLARIZATION) LOCATED AS SHOWN.
- 3. 10 POSITION SIZES CONTAIN ONLY ONE SLOT FOR DUAL POLARIZATION, LOCATED AS SHOWN.
- 4. RECOMMENDED PRINTED CIRCUIT BOARD THICKNESS IS 1.57 [0.062].
- 5. DISTANCE REQUIRED BY EJECTION LATCHES IN THE OPEN POSITION.
- 6. MATERIAL HOUSING & LATCHES: GLASS FILLED NYLON OR POLYESTER, UL94V-0 RATED BLACK. POSTS: BRASS.
- 7. POSTS:  
GOLD FLASH OVER PALLADIUM-NICKEL PLATE, 0.38µm [0.00015] MIN TOTAL ON THE LOCALIZED PLATE AREA,  
2.54µm [0.00100] MIN TIN PLATE ON THE SOLDER-TAILS,  
1.27µm [0.00050] MIN NICKEL UNDERPLATE ON THE ENTIRE POST.  
OR  
0.38µm [0.00015] MIN GOLD PLATE ON THE LOCALIZED PLATE AREA,  
2.54µm [0.00100] MIN TIN PLATE ON THE SOLDER-TAILS,  
1.27µm [0.00050] MIN NICKEL UNDERPLATE ON THE ENTIRE POST.
- 8. DATUMS M & N TO BE ESTABLISHED BY CUSTOMER.

EJECTION LATCHES OMITTED IN THIS VIEW FOR CLARITY



|          |                  |                  |                  |                   |                  |                  |            |             |
|----------|------------------|------------------|------------------|-------------------|------------------|------------------|------------|-------------|
|          | 78.74<br>[3.100] | 90.42<br>[3.560] | 90.42<br>[3.560] | 100.58<br>[3.960] | 96.52<br>[3.800] | 86.36<br>[3.400] | 64         | 1-5499786-2 |
|          | 73.66<br>[2.900] | 85.34<br>[3.360] | 85.34<br>[3.360] | 95.50<br>[3.760]  | 91.44<br>[3.600] | 81.28<br>[3.200] | 60         | 1-5499786-1 |
|          | 60.96<br>[2.400] | 72.64<br>[2.860] | 72.64<br>[2.860] | 82.80<br>[3.260]  | 78.74<br>[3.100] | 68.58<br>[2.700] | 50         | 1-5499786-0 |
|          | 48.26<br>[1.900] | 59.94<br>[2.360] | 59.94<br>[2.360] | 70.10<br>[2.760]  | 66.04<br>[2.600] | 55.88<br>[2.200] | 40         | 5499786-9   |
|          | 40.64<br>[1.600] | 52.32<br>[2.060] | 52.32<br>[2.060] | 62.48<br>[2.460]  | 58.42<br>[2.300] | 48.26<br>[1.900] | 34         | 5499786-8   |
| OBSOLETE | 35.56<br>[1.400] | 47.24<br>[1.860] | 47.24<br>[1.860] | 57.40<br>[2.260]  | 53.34<br>[2.100] | 43.18<br>[1.700] | 30         | 5499786-7   |
|          | 30.48<br>[1.200] | 42.16<br>[1.660] | 42.16<br>[1.660] | 52.32<br>[2.060]  | 48.26<br>[1.900] | 38.10<br>[1.500] | 26         | 5499786-6   |
|          | 27.94<br>[1.100] | 39.62<br>[1.560] | 39.62<br>[1.560] | 49.78<br>[1.960]  | 45.72<br>[1.800] | 35.56<br>[1.400] | 24         | 5499786-5   |
|          | 22.86<br>[.900]  | 34.54<br>[1.360] | 34.54<br>[1.360] | 44.70<br>[1.760]  | 40.64<br>[1.600] | 30.48<br>[1.200] | 20         | 5499786-4   |
|          | 17.78<br>[.700]  | 29.46<br>[1.160] | 29.46<br>[1.160] | 39.62<br>[1.560]  | 35.56<br>[1.400] | 25.40<br>[1.000] | 16         | 5499786-3   |
|          | 15.24<br>[.600]  | 26.92<br>[1.060] | 26.92<br>[1.060] | 37.08<br>[1.460]  | 33.02<br>[1.300] | 22.86<br>[.900]  | 14         | 5499786-2   |
|          | 10.16<br>[.400]  | 21.84<br>[.860]  | 21.84<br>[.860]  | 32.00<br>[1.260]  | 27.94<br>[1.100] | 17.78<br>[.700]  | 10         | 5499786-1   |
|          | F                | E                | D                | C                 | B                | A                | NO OF POSN | PART NUMBER |

THIS DRAWING IS A CONTROLLED DOCUMENT.

|                         |  |                               |                        |                          |
|-------------------------|--|-------------------------------|------------------------|--------------------------|
| DIMENSIONS: mm (INCHES) | TOLERANCES UNLESS OTHERWISE SPECIFIED: | DIN L VARELA - DOCKS 01-07-05 | APVD S BOLASH 01-07-05 | NAME M WALMSLEY 01-07-05 |
| 0 PLC ± -               | 1 PLC ± -                              | 2 PLC ± 0.13[.005]            | 3 PLC ± -              | 4 PLC ± -                |
| ANGLES ± -              |  |                               |                        |                          |
| MATERIAL                | FINISH                                 | WEIGHT                        | SIZE                   | CAGE CODE                |
|                         |  |                               | A1                     | 00779                    |
| CUSTOMER DRAWING        |  | SCALE                         | SHEET                  | REV                      |
|                         |  | 4:1                           | 1 of 1                 | E                        |

STE TE Connectivity

PRODUCT SPEC: 108-40018

APPLICATION SPEC: -

DRAWING NO: 5499786

# Mouser Electronics

Authorized Distributor

Click to View Pricing, Inventory, Delivery & Lifecycle Information:

[TE Connectivity:](#)

[5499786-2](#)