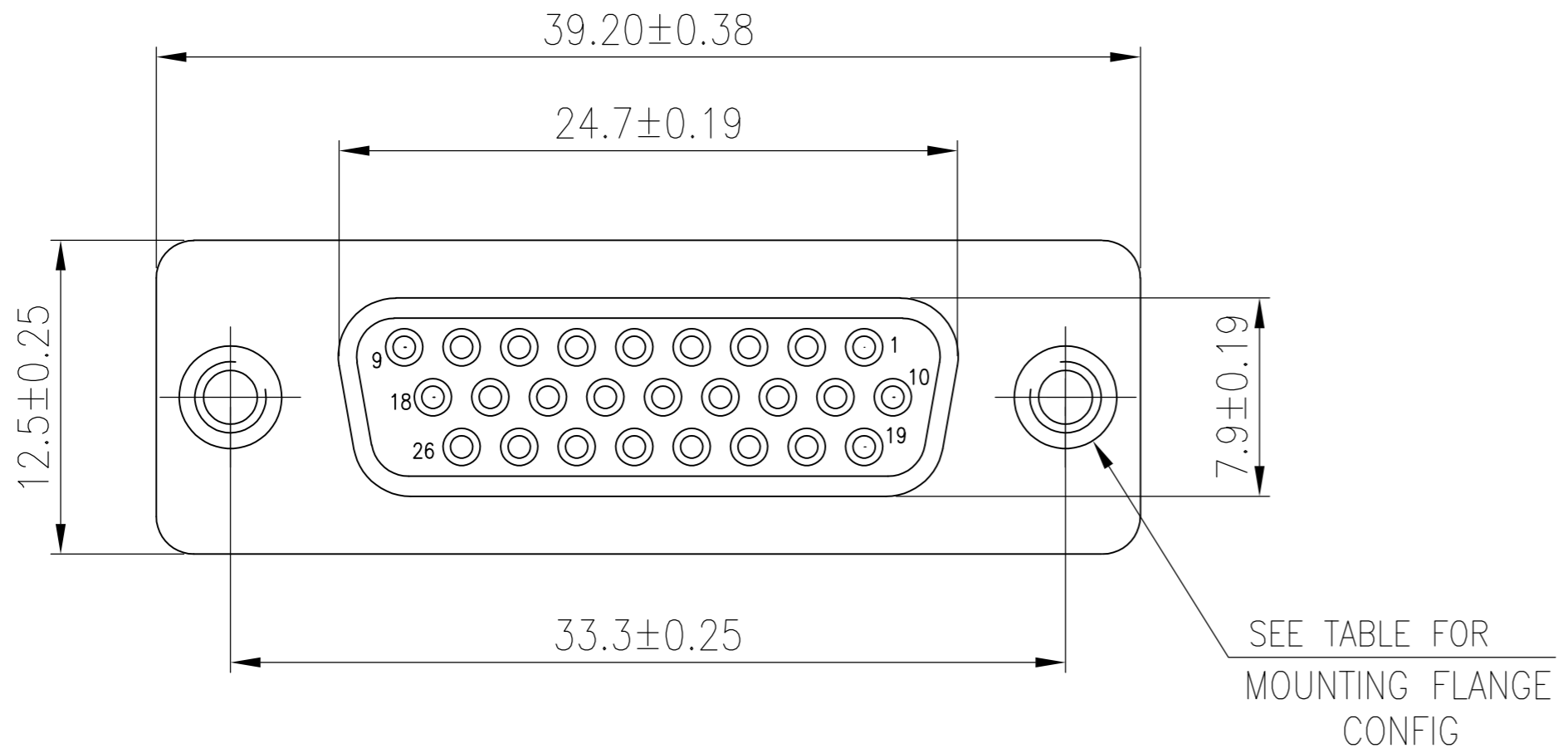


THIS DRAWING IS UNPUBLISHED. RELEASED FOR PUBLICATION
 © COPYRIGHT BY TYCO ELECTRONICS CORPORATION. ALL RIGHTS RESERVED.

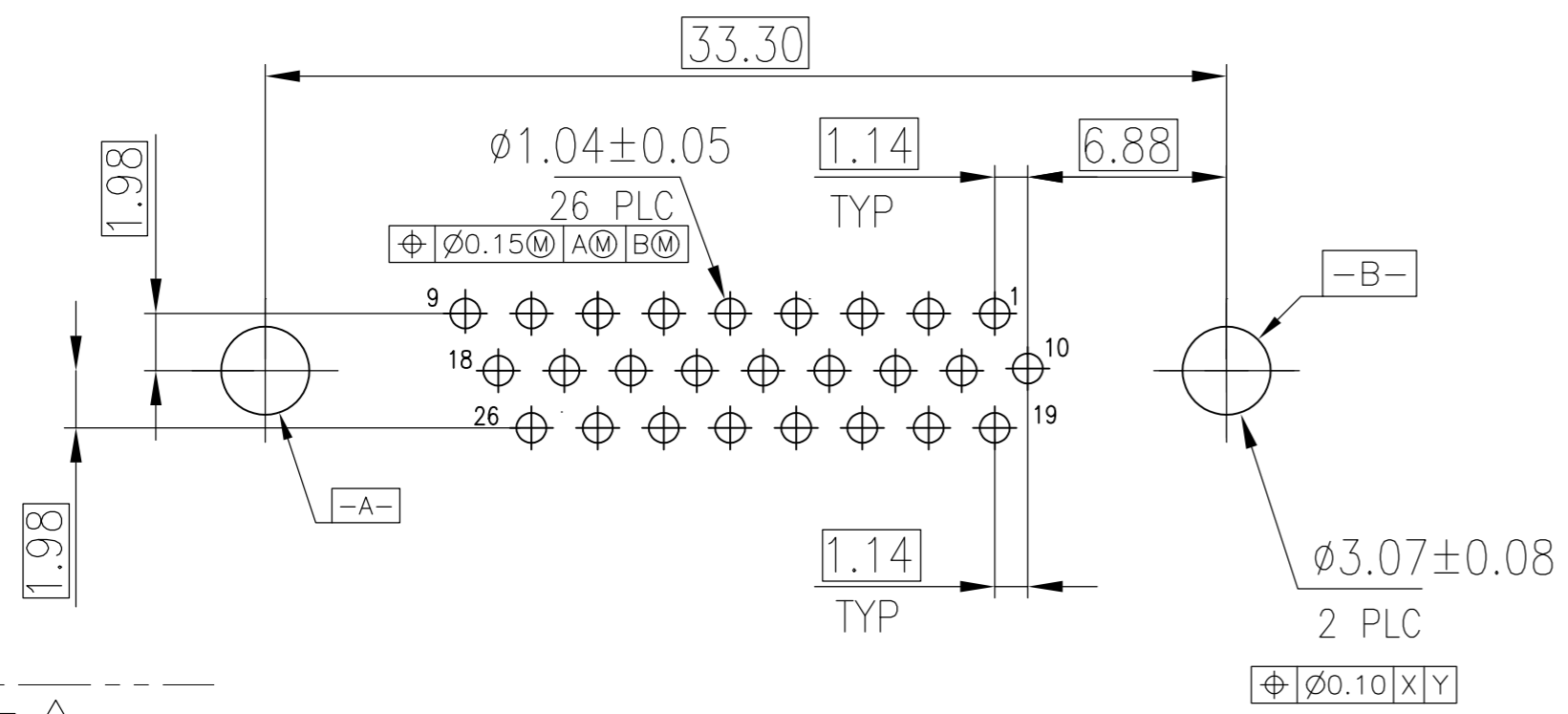
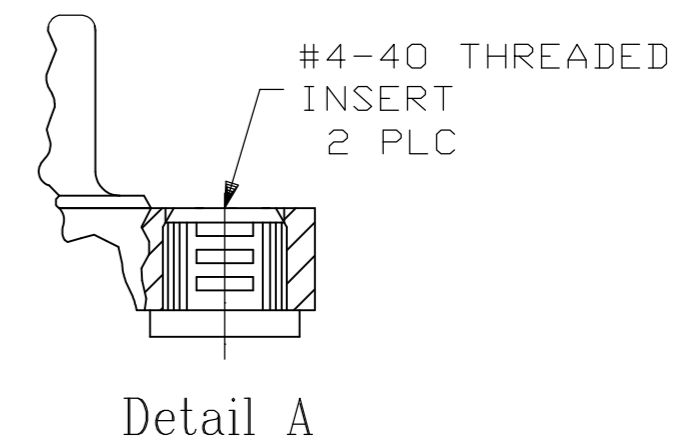
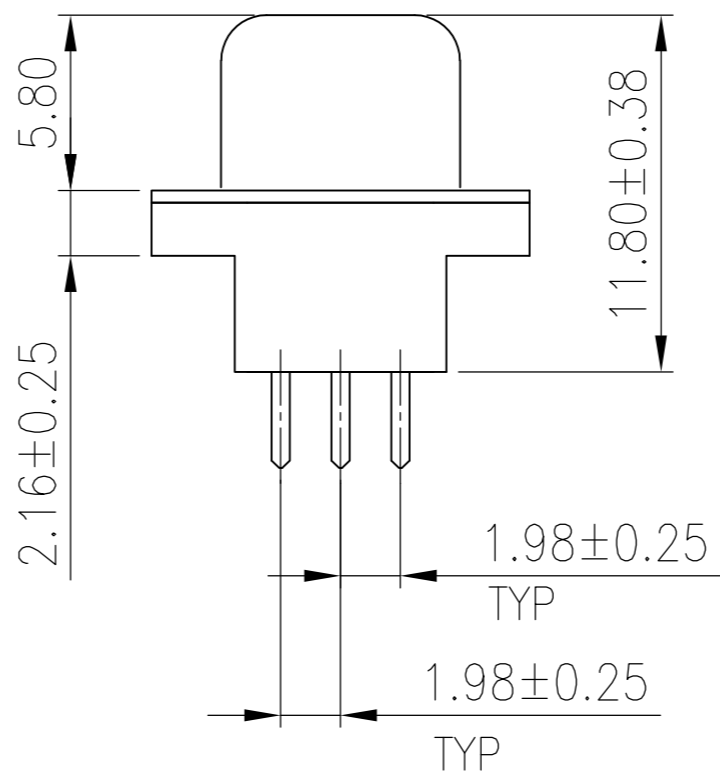
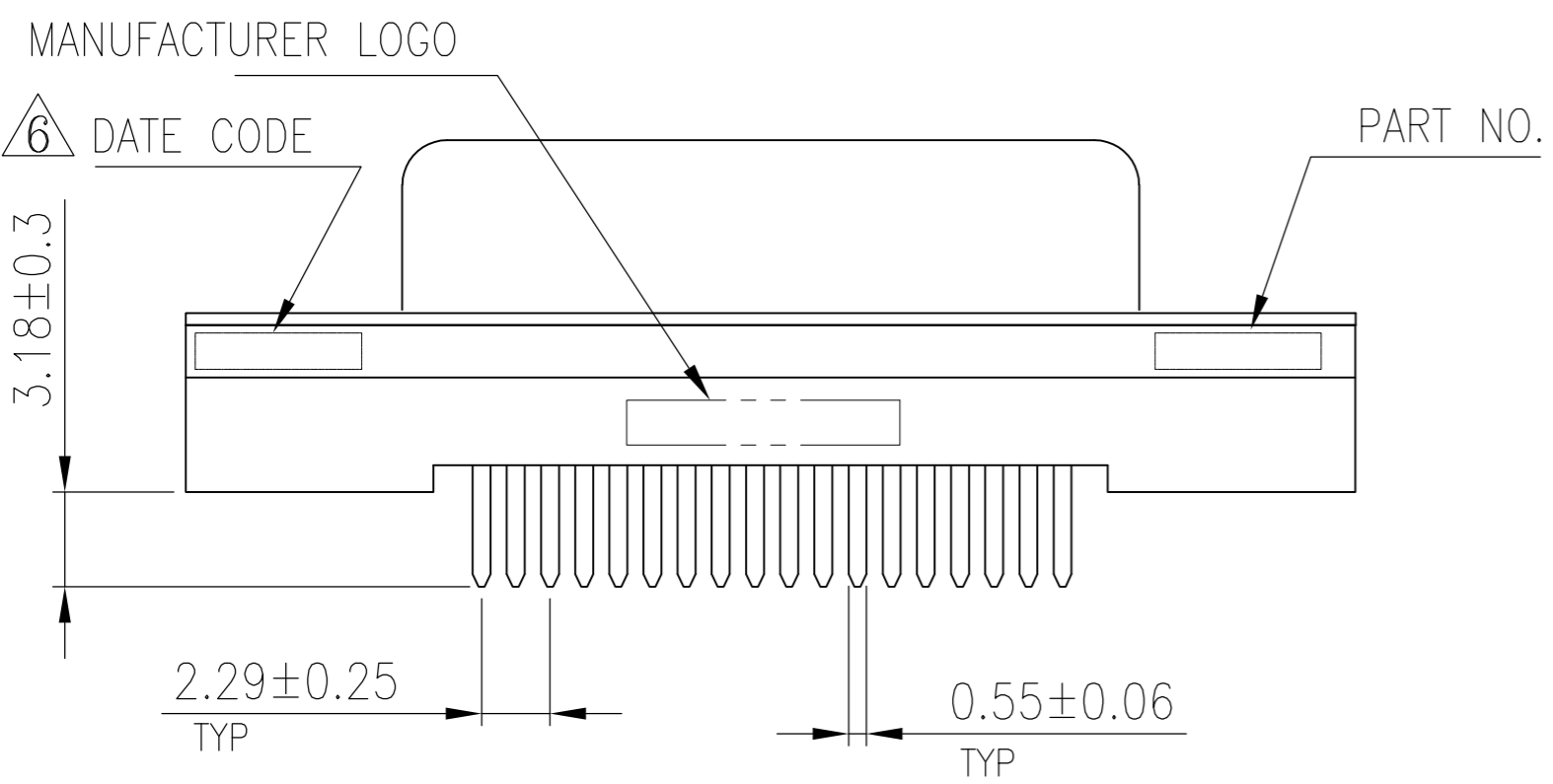
LOC		DIST		REVISIONS			
GP	00	P	LTR	DESCRIPTION	DATE	DWN	APVD
		B		REVISED PER ECO-09-005756	15APR2009	ZMR	SLB



- Housing material: PBT , Glass Filled, black, UL 94V-0 Rated.
 - CONTACT MATERIAL: PHOSPHOR BRONZE.
 - CONTACT FINISH: GOLD PLATE IN MATING AREA (SEE TABLE), 120µ" MIN TIN PLATE ON SOLDER TAIL, BOTH OVER 50µ" MIN NICKEL UNDERPLATE.
 - SHELL: STEEL, NICKEL PLATE.
 - THREADED INSERTS: BRASS, NICKEL PLATE.
- △ 6 FOUR DIGIT DATE CODE IN THIS FORMAT.

Year 01 45 Manufacturing Week

△ 7 DATUMS -X- & -Y- TO BE ESTABLISHED BY CUSTOMER.



OBSOLETE	Tray	Detail A	Gold flash	5749030-4
OBSOLETE	Tray	Detail A	15µ" MIN	5749030-3
	Tray	Detail A	30µ" MIN	5749030-1
Packaging	Mounting Flange Configuration		CONTACT MATING AREA FINISH	PART NUMBER

THIS DRAWING IS A CONTROLLED DOCUMENT.		DWN B. MCMASTER 21SEP05	Tyco Electronics Corporation Harrisburg, PA 17105-3608	
DIMENSIONS: mm		CHK S. BOLASH 21SEP05	NAME AMPLIMITE HD-22 26 POS RECEPTACLE, VERTICAL	
TOLERANCES UNLESS OTHERWISE SPECIFIED:		APVD M. WALMSLEY 21SEP05	SIZE A2 CAGE CODE 00779 C=5749030	
0 PLC ± -		PRODUCT SPEC 108-1092	DRAWING NO	
1 PLC ± 0.30		APPLICATION SPEC 114-13199	RESTRICTED TO	
2 PLC ± 0.20		WEIGHT -	SCALE 1:1 SHEET 1 of 1 REV B	
3 PLC ± 0.10		CUSTOMER DRAWING		
4 PLC ± -				
ANGLES ± 2°				
FINISH -				

Mouser Electronics

Authorized Distributor

Click to View Pricing, Inventory, Delivery & Lifecycle Information:

[TE Connectivity:](#)

[5749030-1](#)