

Specifications:

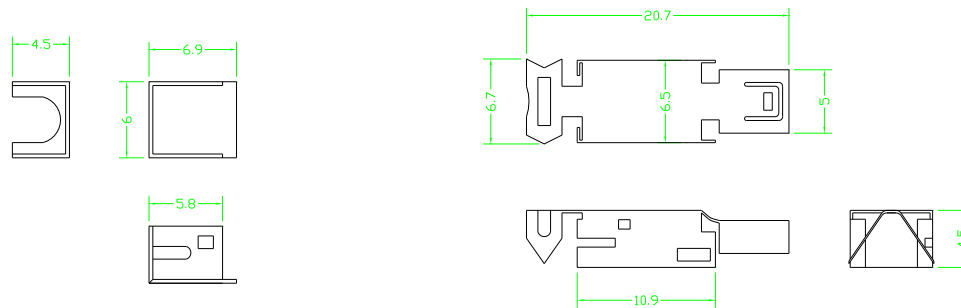
Contact Resistance: 10mΩ max.at DC 100 mA
 Insulator Resistance: 500MΩ min.at DC 500V
 Current Rating: 1AMP

Dielectric Withstanding

Voltage: AC 500V For 1 minute

Contact: Brass

Housing: PBT &30% Glass Fiber(UL 94V-0)



设计/Designed by	绘图/Drawing by	审核/Checked by	批准/Approved by	未注公差 General Tolerance	
				x. ±0.2	x.' ±2°
		图名/Title	文件编号/File No.	.x ±0.1	.x' ±1°
		172产品图	QJ/XYT-12134	.xx ±0.05	.xx' ±0.5°
		备注/Remark	页序/Sheet	.xxx ±0.01	
				单位/Units: mm	