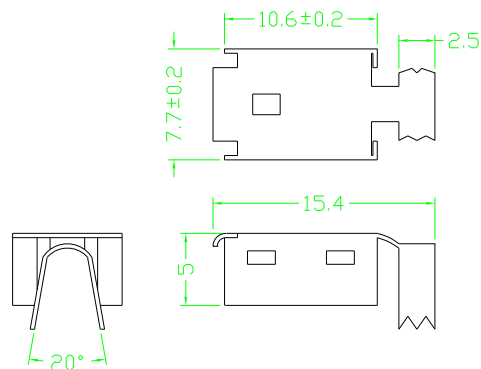
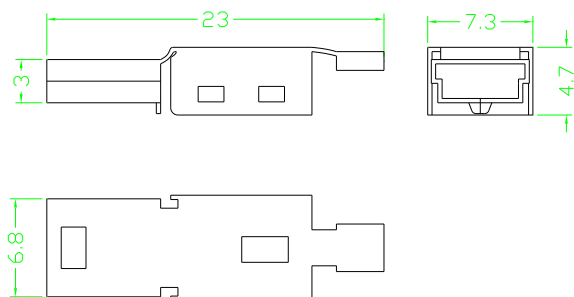


Specifications:
 Contact Resistance: 10mΩ max.at DC 100 mA
 Insulator Resistance: 500MΩ min.at DC 500V
 Current Rating: 1AMP

Dielectric Withstanding
 Voltage: AC 500V For 1 minute
 Contact: Brass
 Housing: PBT &30% Glass Fiber(UL 94V-0)



设计/Designed by	绘图/Drawing by	审核/Checked by	批准/Approved by	未注公差 General Tolerance	
				x. ±0.2	x.' ±2°
				.x ±0.1	.x' ±1°
				.xx ±0.05	.xx' ±0.5°
				.xxx ±0.01	
				单位/Units: mm	