

Dear customer,

For purpose to use the lead free soldering iron, we are planning to revise our product specifications to meet the customers requirement.

The new soldering iron will improve the heat efficiency and operating for end user.

But the new and old type of the heater and soldering tips have the compatibility issue, so we provide the following drawings for your reference.

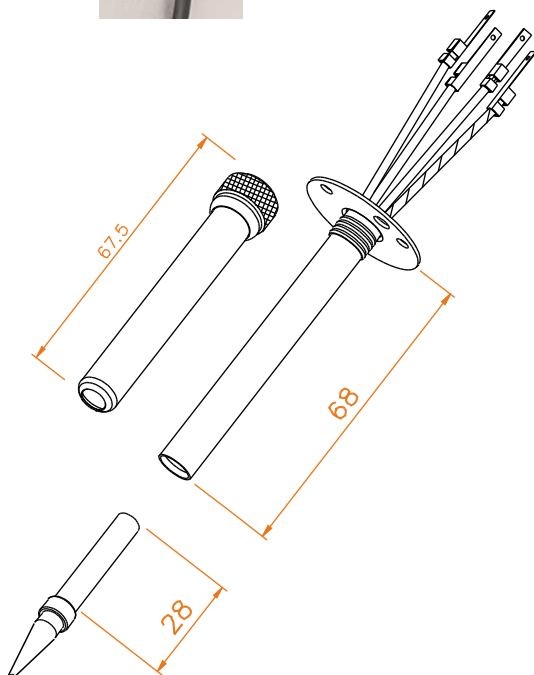
Starting from 2006, we will use the new type of soldering tips for the SL-10/20/30/916 Soldering Station .

Please be aware when you place the order, especially for the part no. of the spare parts. For customer service of the old type equipments, we will still provide the old type heater

SL-1



SL-IH



NEW TYPE

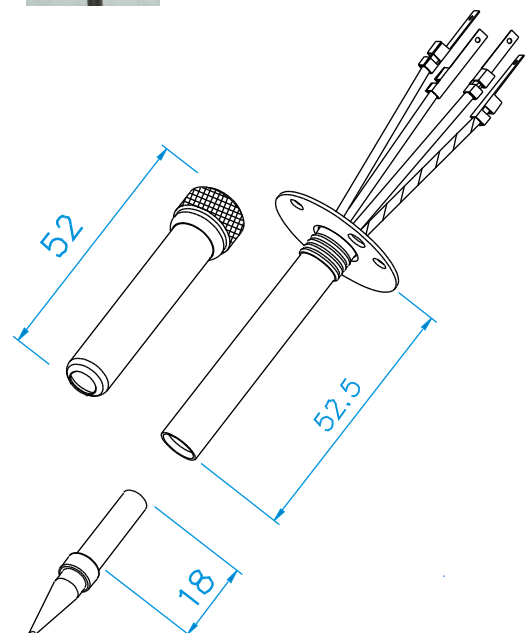
SL-NI



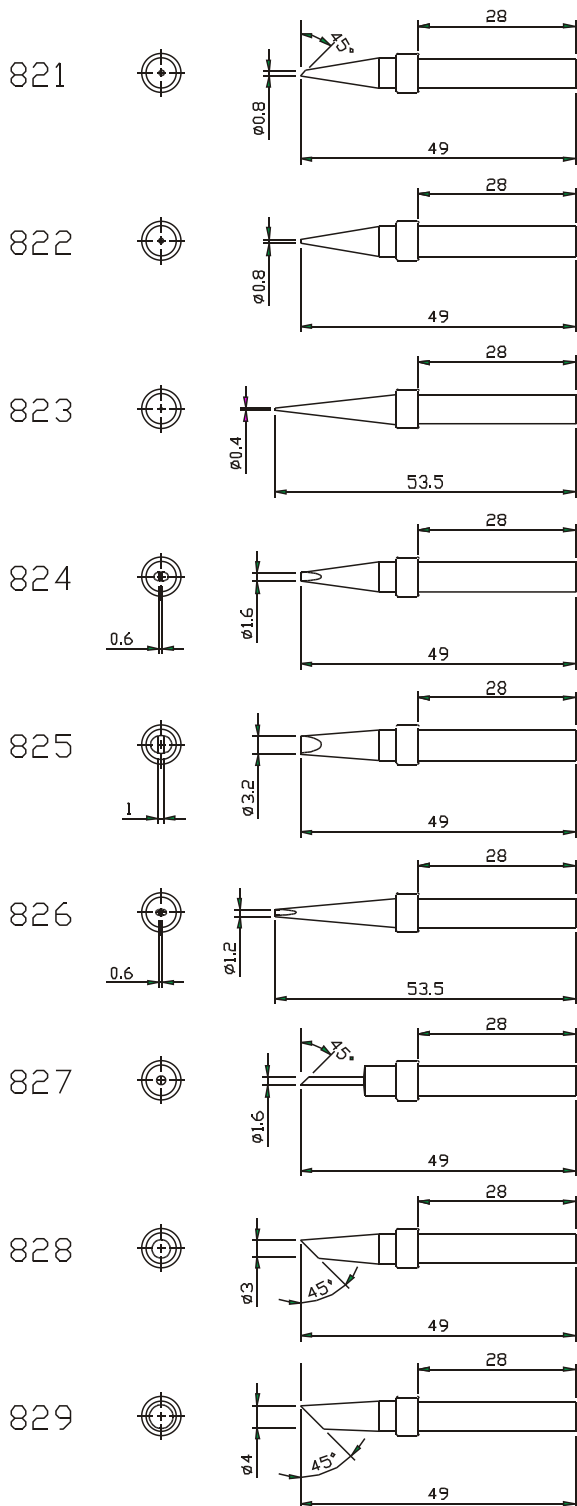
SL-NIH



BLUE RUBBER



FOR SL-I (SL-IH)



NEW TYPE

FOR SL-NI (SL-NIH)

